

sew

ISSUE 155 CHRISTMAS 2021

PATTERN DOWNLOAD

CUT OUT & KEEP

JESSIE MIDI

Designer: Posner and Posner

Magazine page: 22



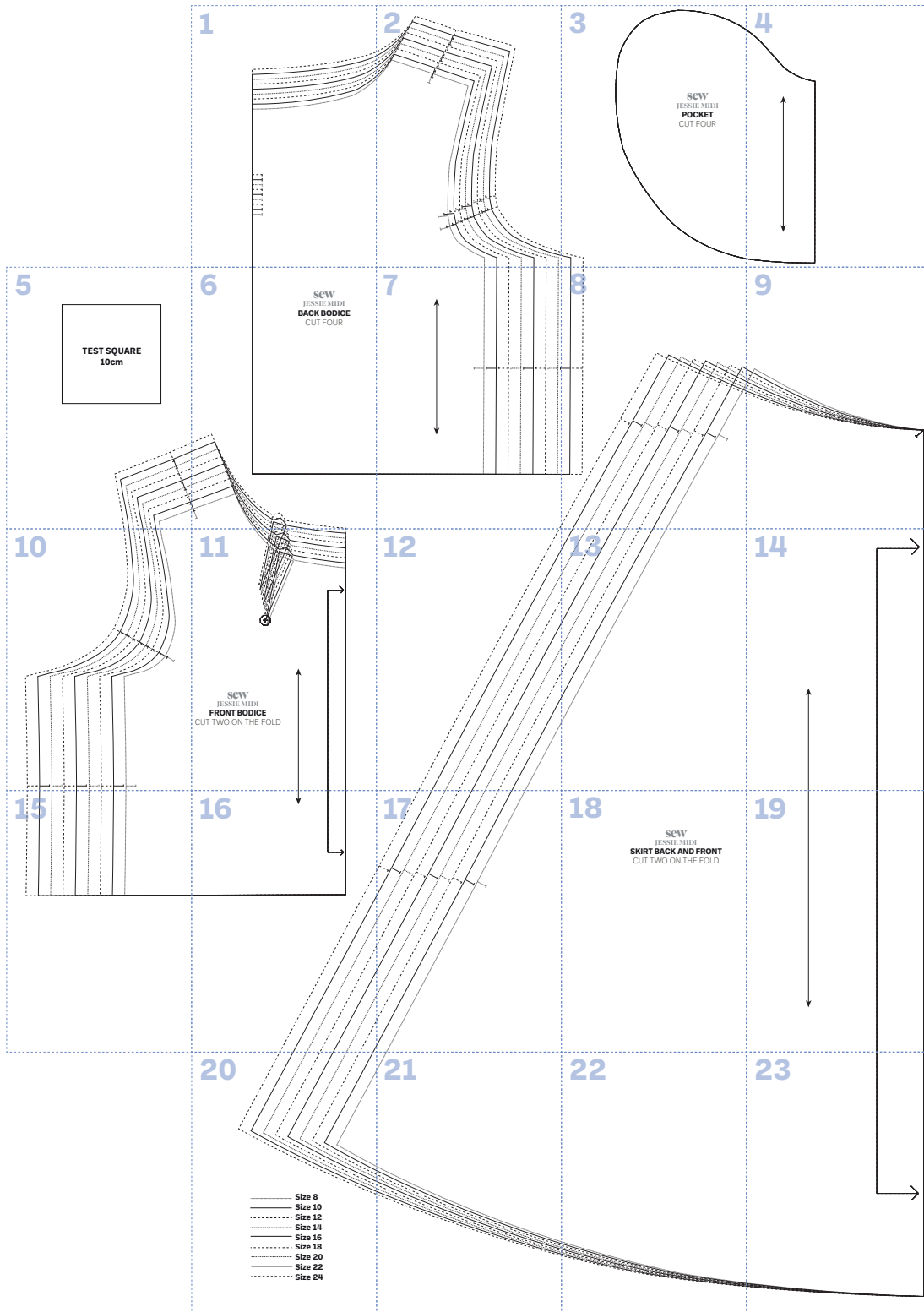
IN YOUR PRINT MENU, UNDER SIZE OPTIONS, BE SURE TO
SELECT '**ACTUAL SIZE/100%**', INSTEAD OF 'FIT TO PAGE'

© ACEVILLE PUBLICATIONS LTD | SEWMAG.CO.UK

All projects, templates and patterns are for personal home use only and cannot be sold or used for commercial purposes.

sew
sewmag.co.uk

PATTERN LAYOUT

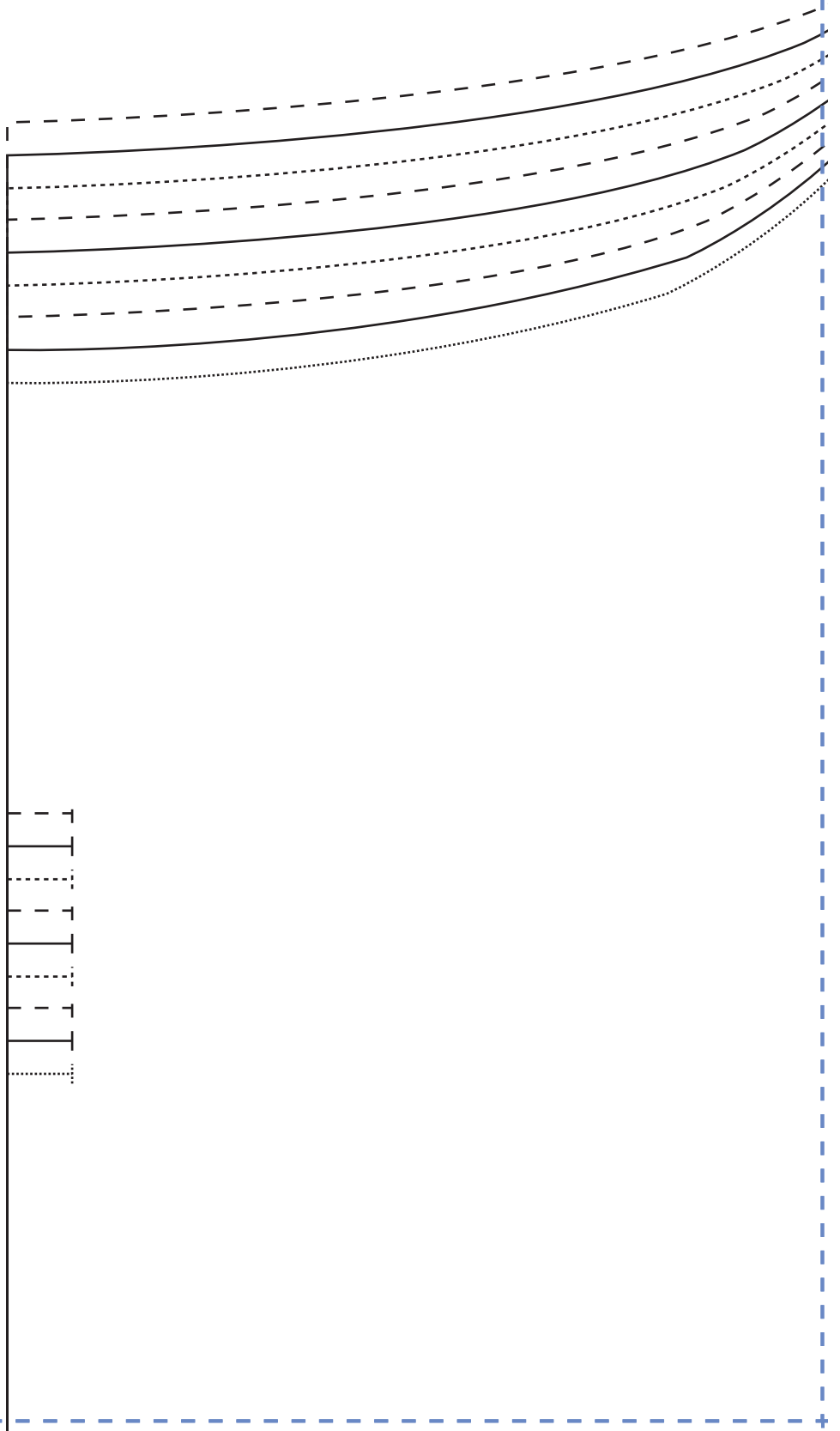


YOUR SIZING CHART

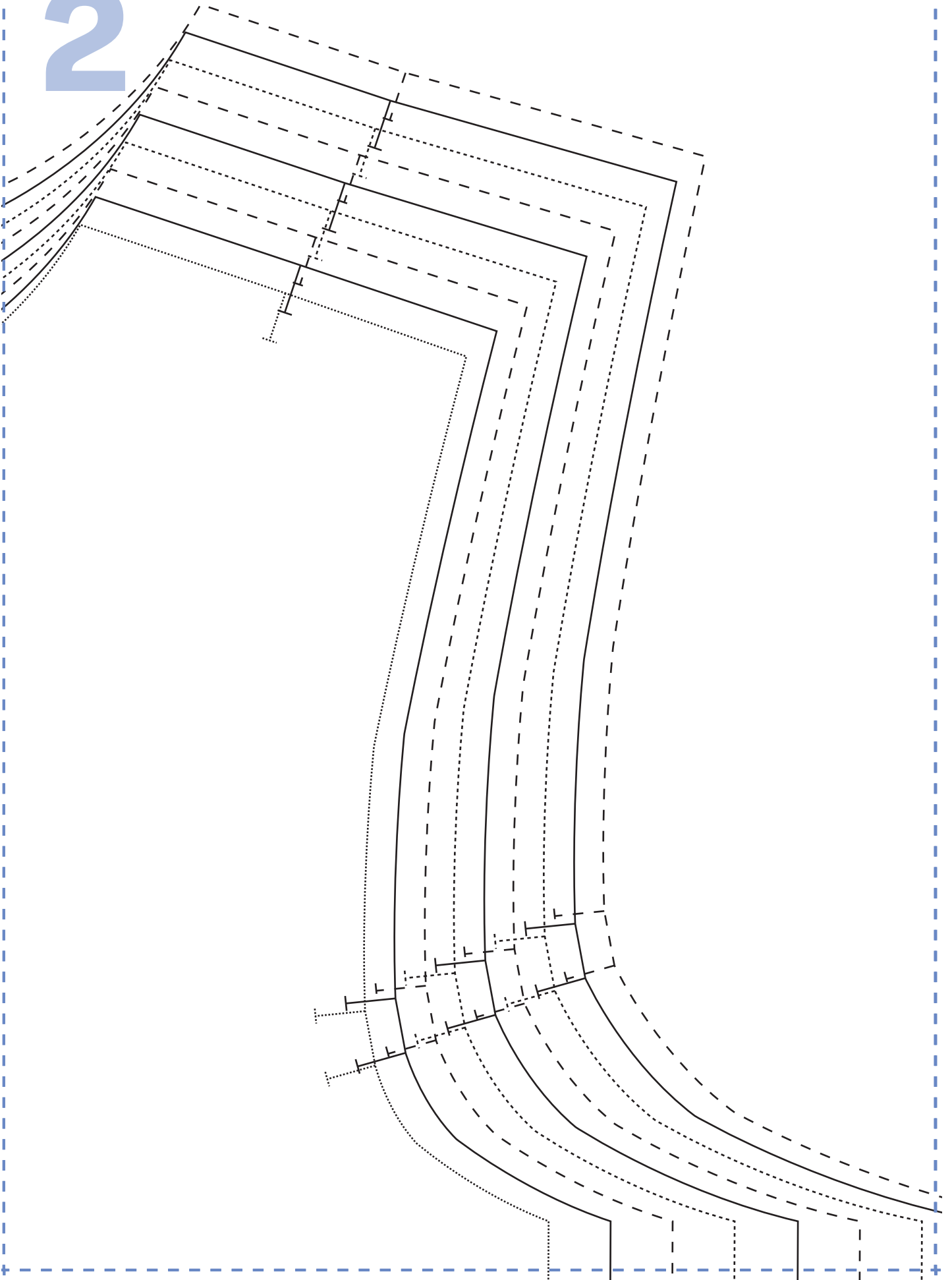
	8	10	12	14	16	18	20	22	24
Bust cm	78	83	88	93	98	103	108	113	118
Waist cm	59	64	69	74	79	84	89	94	99
Hip cm	85	88	93	98	103	108	113	118	123
Back neck to waist	39	40	41	42	43	44	45	46	47

Once you have your body measurements, choose the closest size from the chart below. Remember, there will be variations depending on which fabric and pattern you choose, so always make a toile first.

1

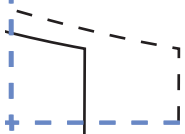


2

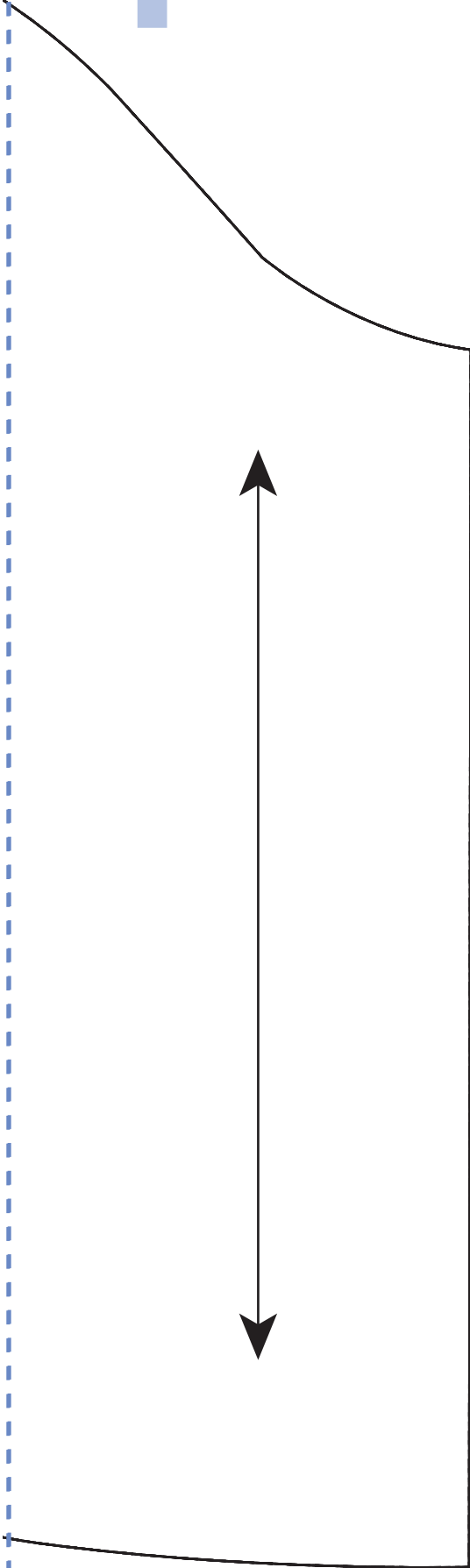


3

sew
JESSIE MIDI
POCKET
CUT FOUR

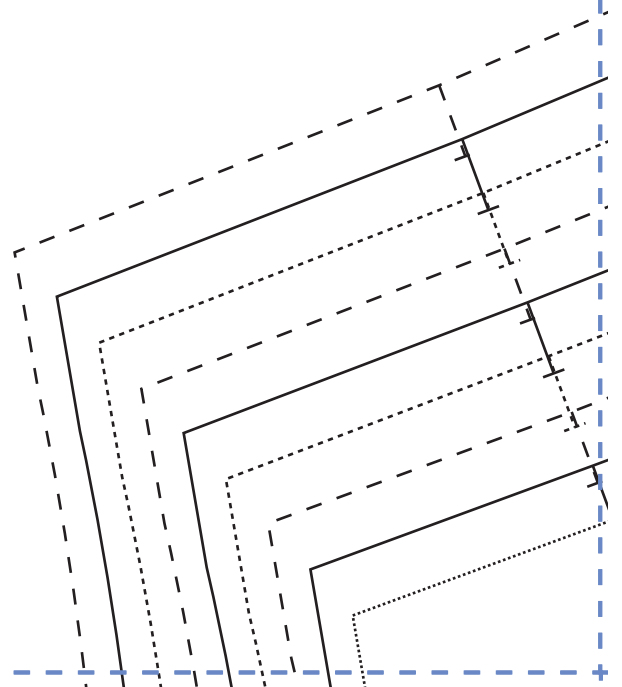


4



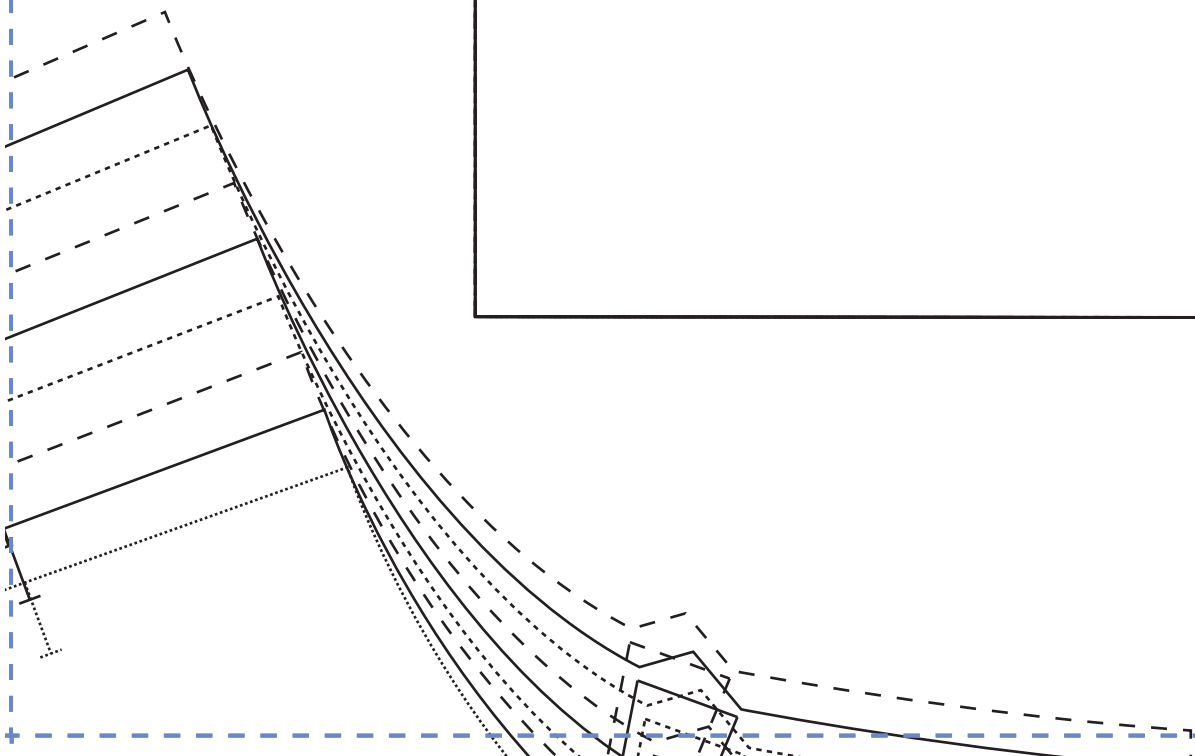
5

TEST SQUARE
10cm

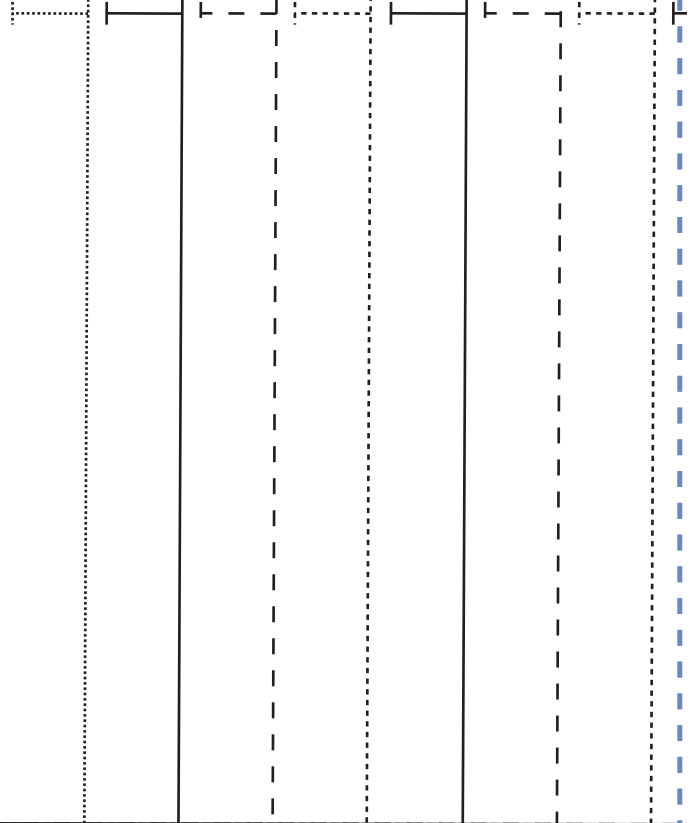


6

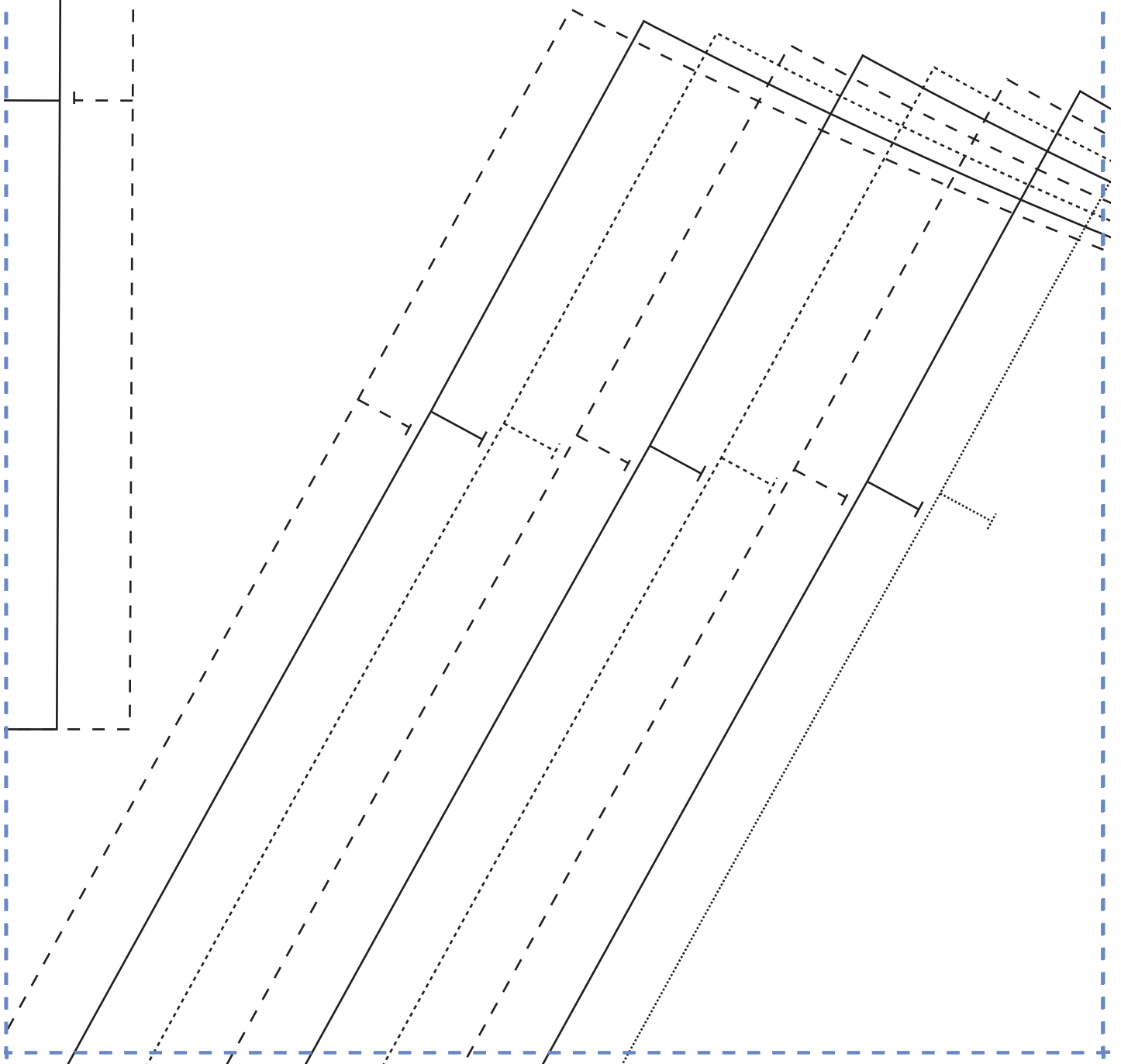
sew
JESSIE MIDI
BACK BODICE
CUT FOUR



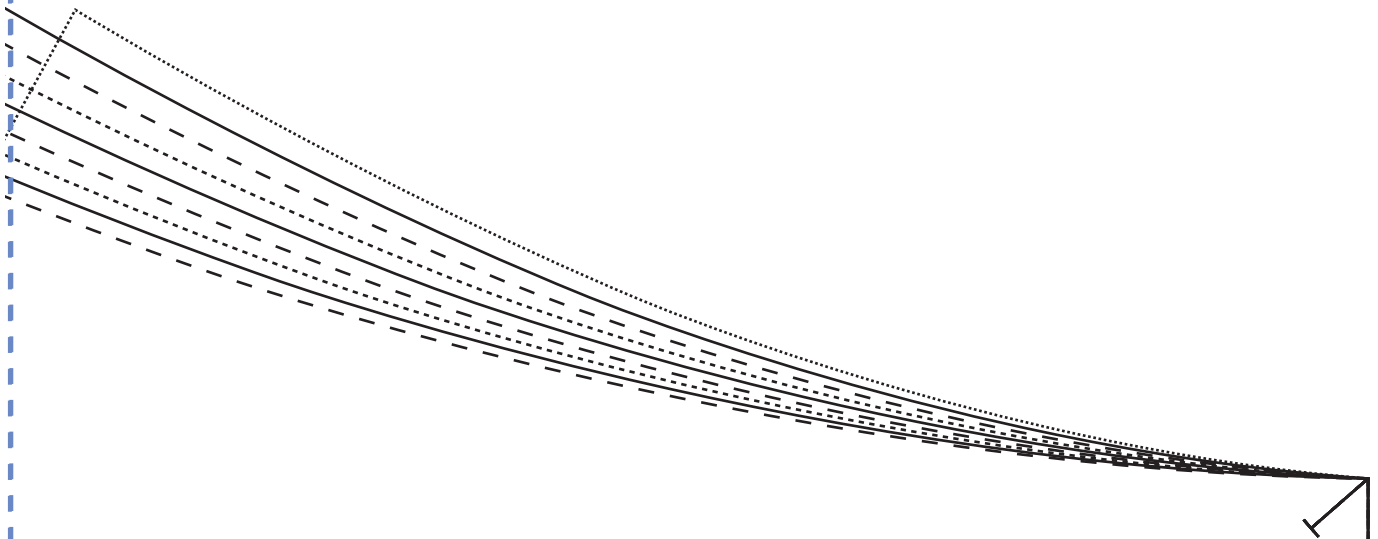
7



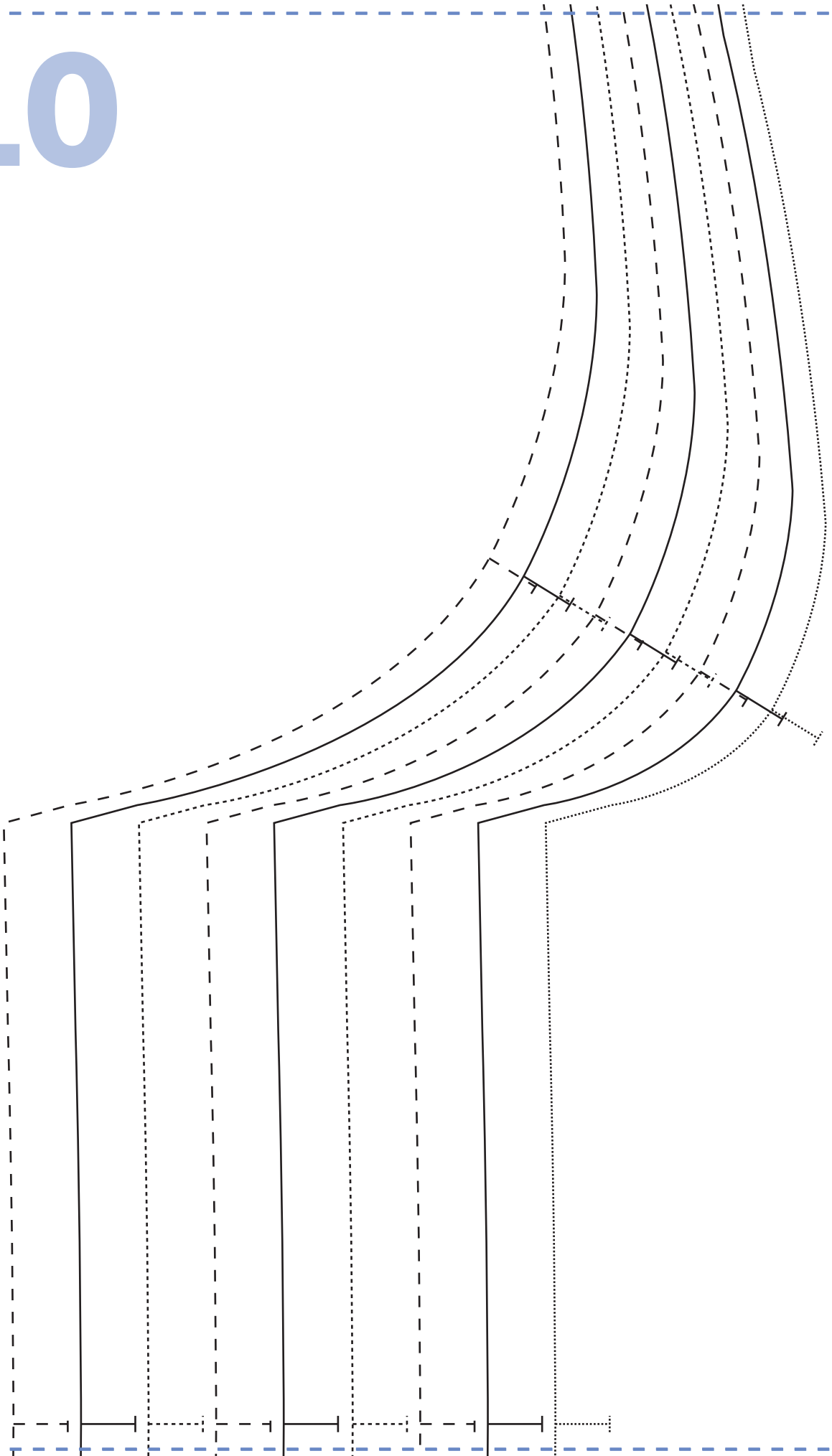
8



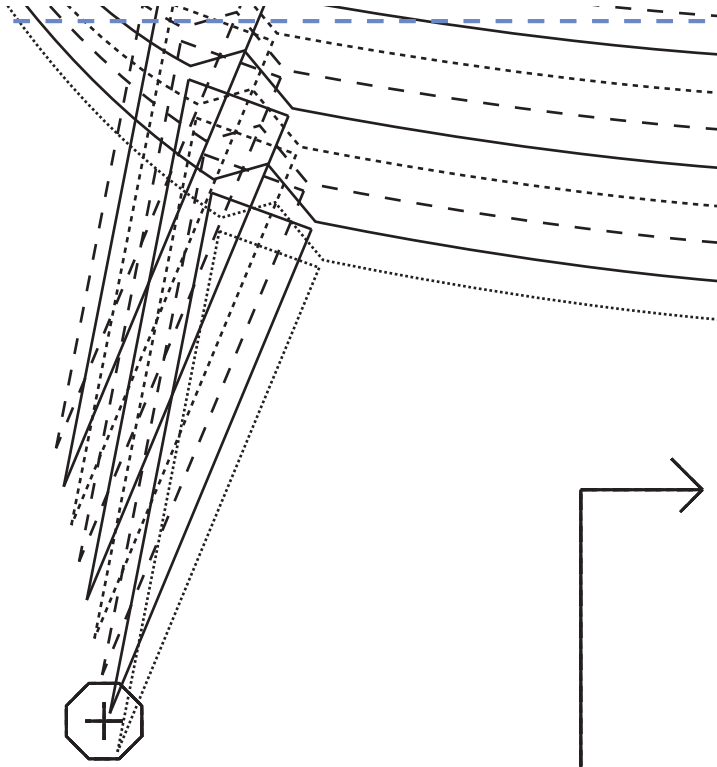
9



10

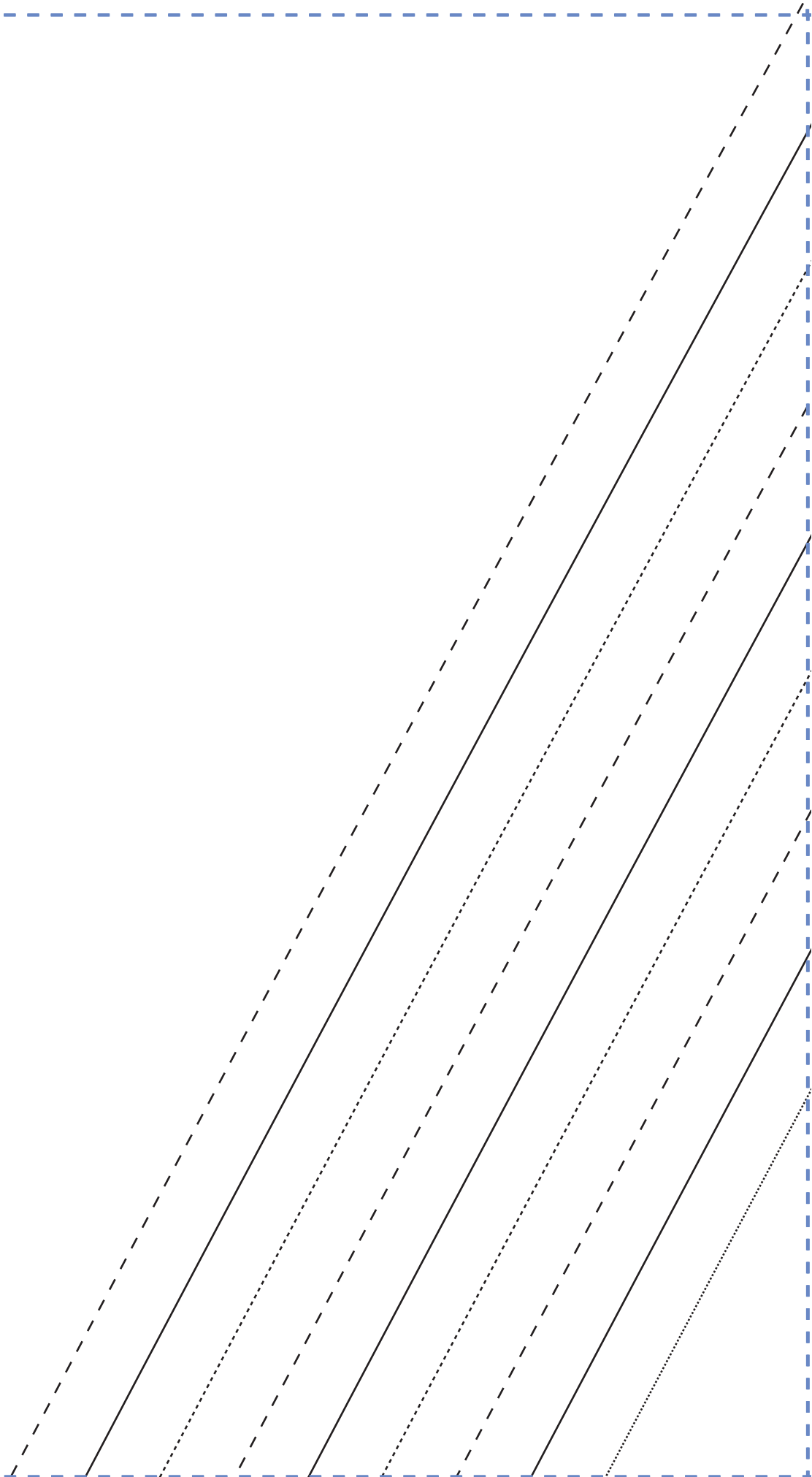


11

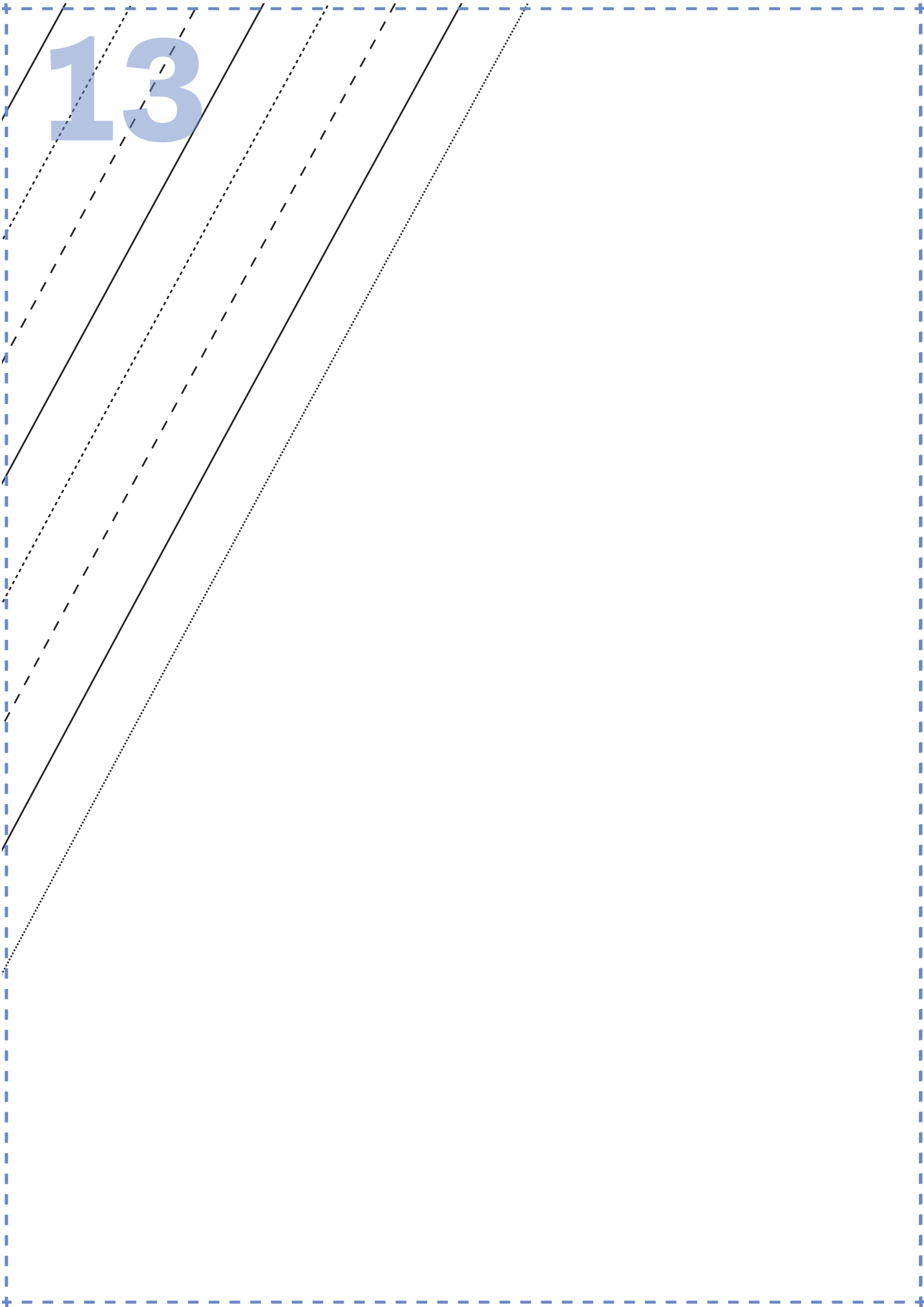


sew
JESSIE MIDI
FRONT BODICE
CUT TWO ON THE FOLD

12



13

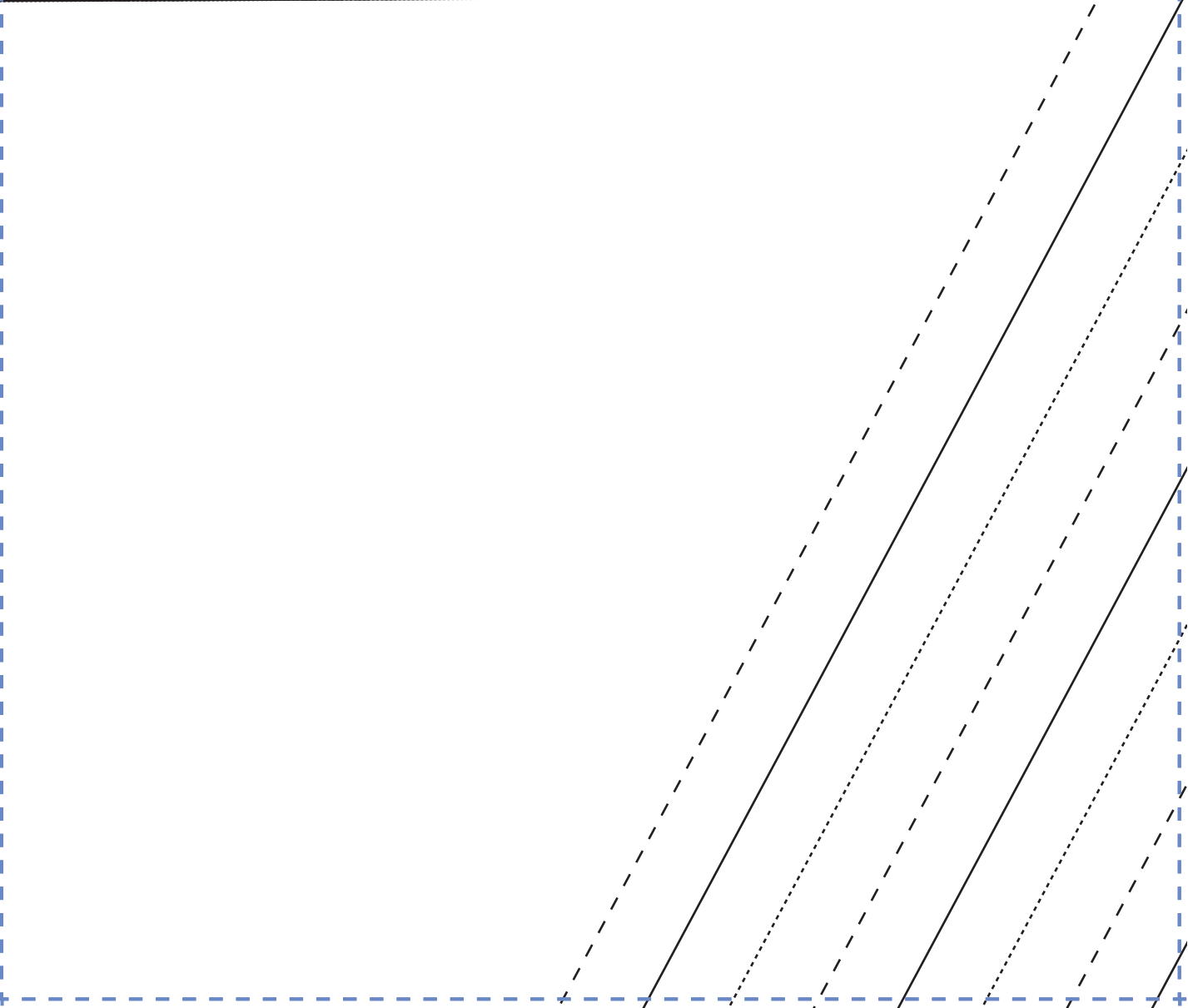
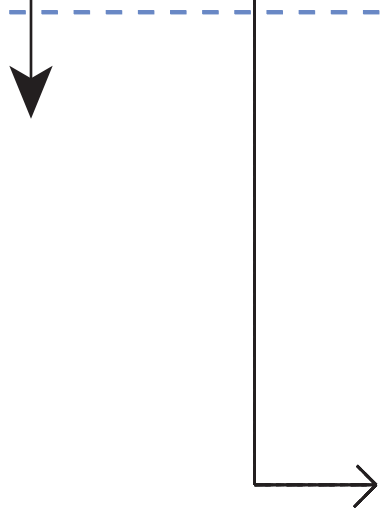


14

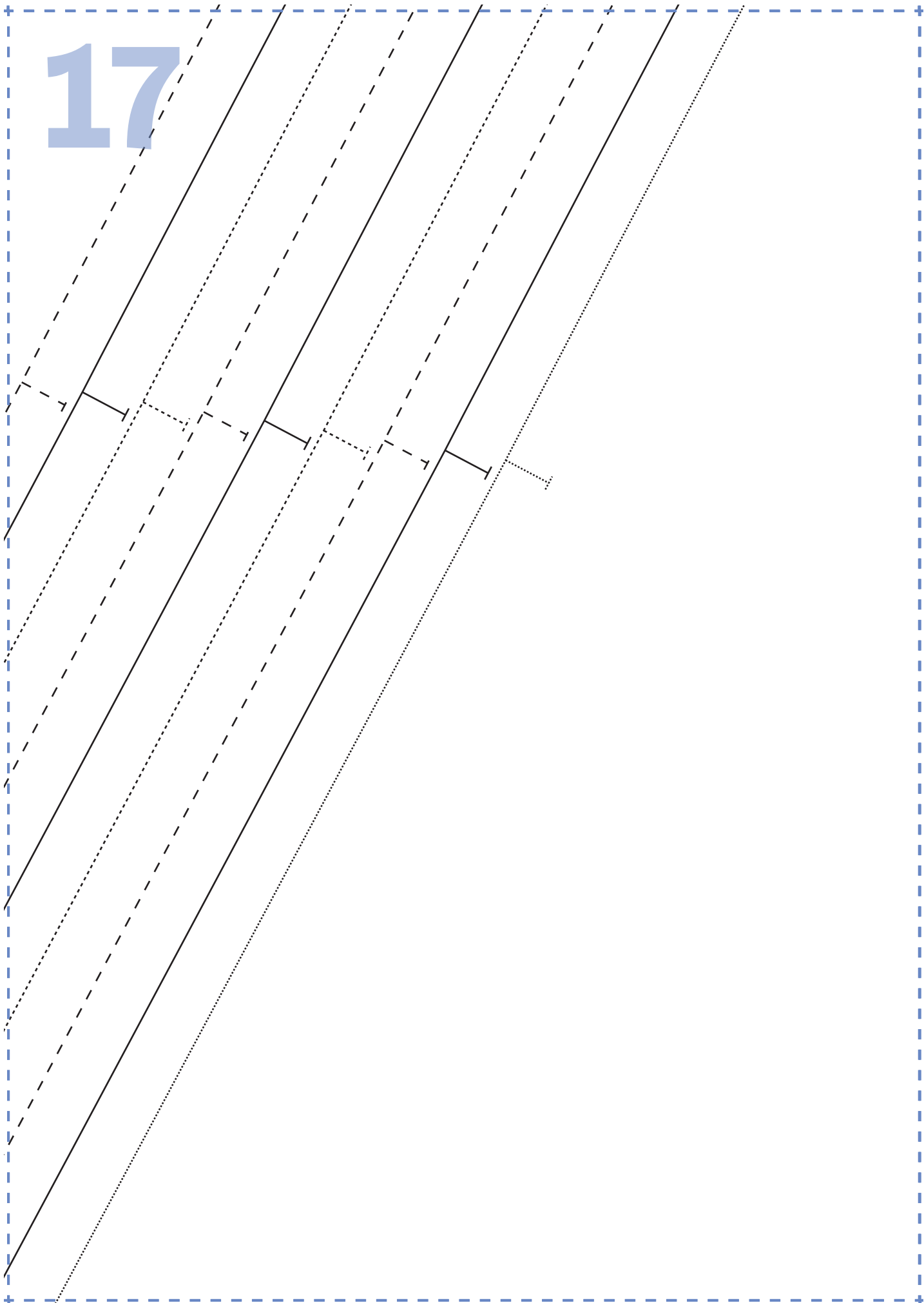


15

16



17



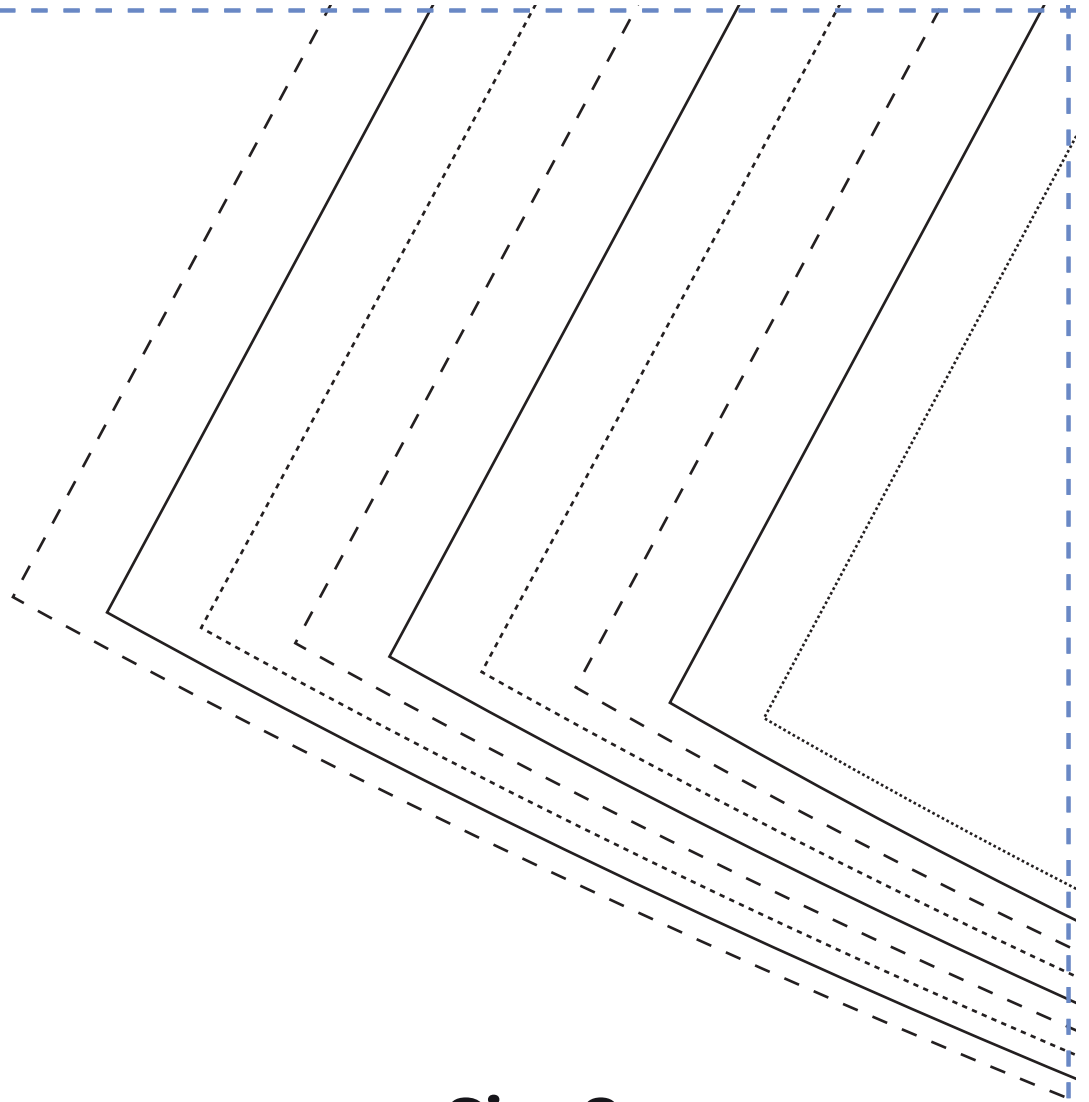
18

sew
JESSIE MIDI
SKIRT BACK AND FRONT
CUT TWO ON THE FOLD

19

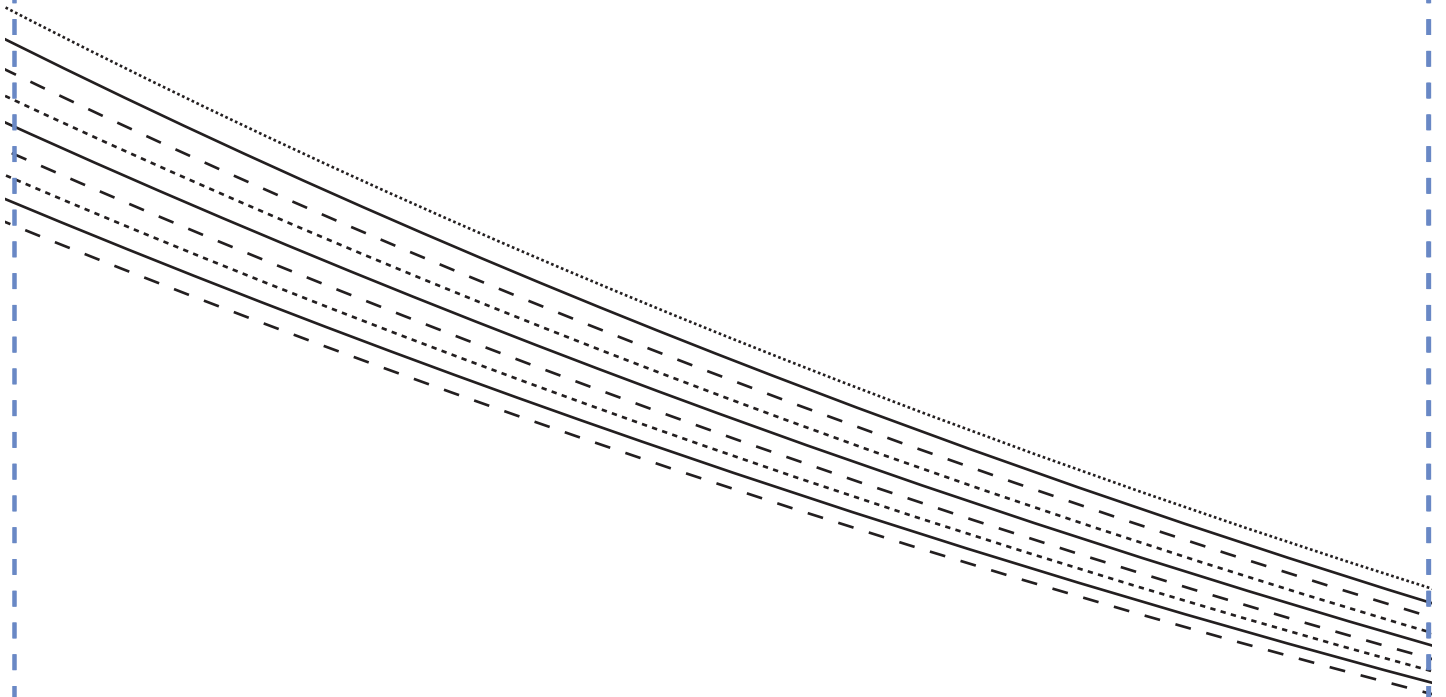


20

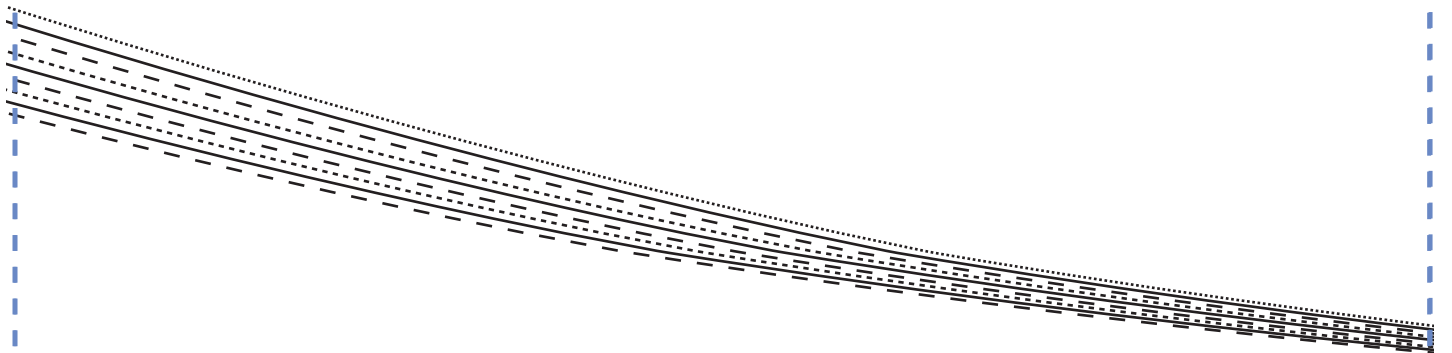


- **Size 8**
- **Size 10**
- - - - - **Size 12**
- **Size 14**
- **Size 16**
- - - - - **Size 18**
- **Size 20**
- **Size 22**
- - - - - **Size 24**

21



22



23

