

EXCLUSIVELY FOR OFFICIAL USE

3



12

МТБ

EXCLUSIVELY
ОПРЕДЕЛЕНИЕ

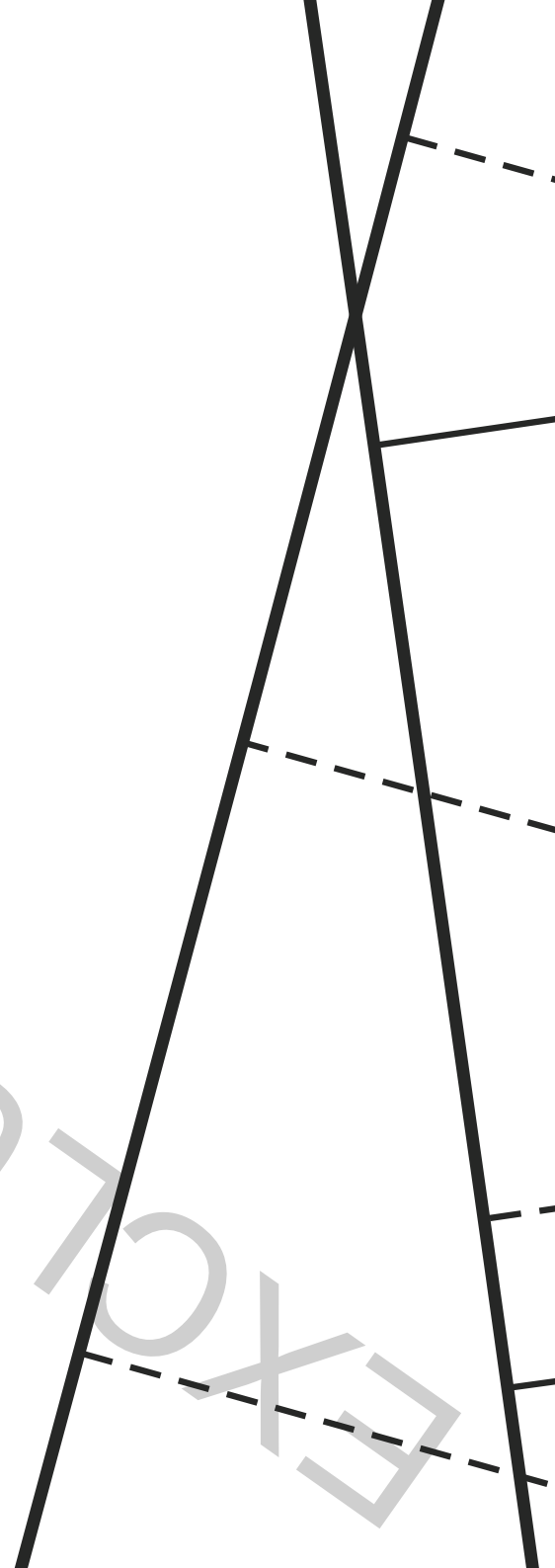


EXCLUSIVELY FOR THE COMPANY

4

ДНСТ

EXOTUSMFEKYO



БЫКРӨЕР А

Размер 42



Размер 44



Размер 46



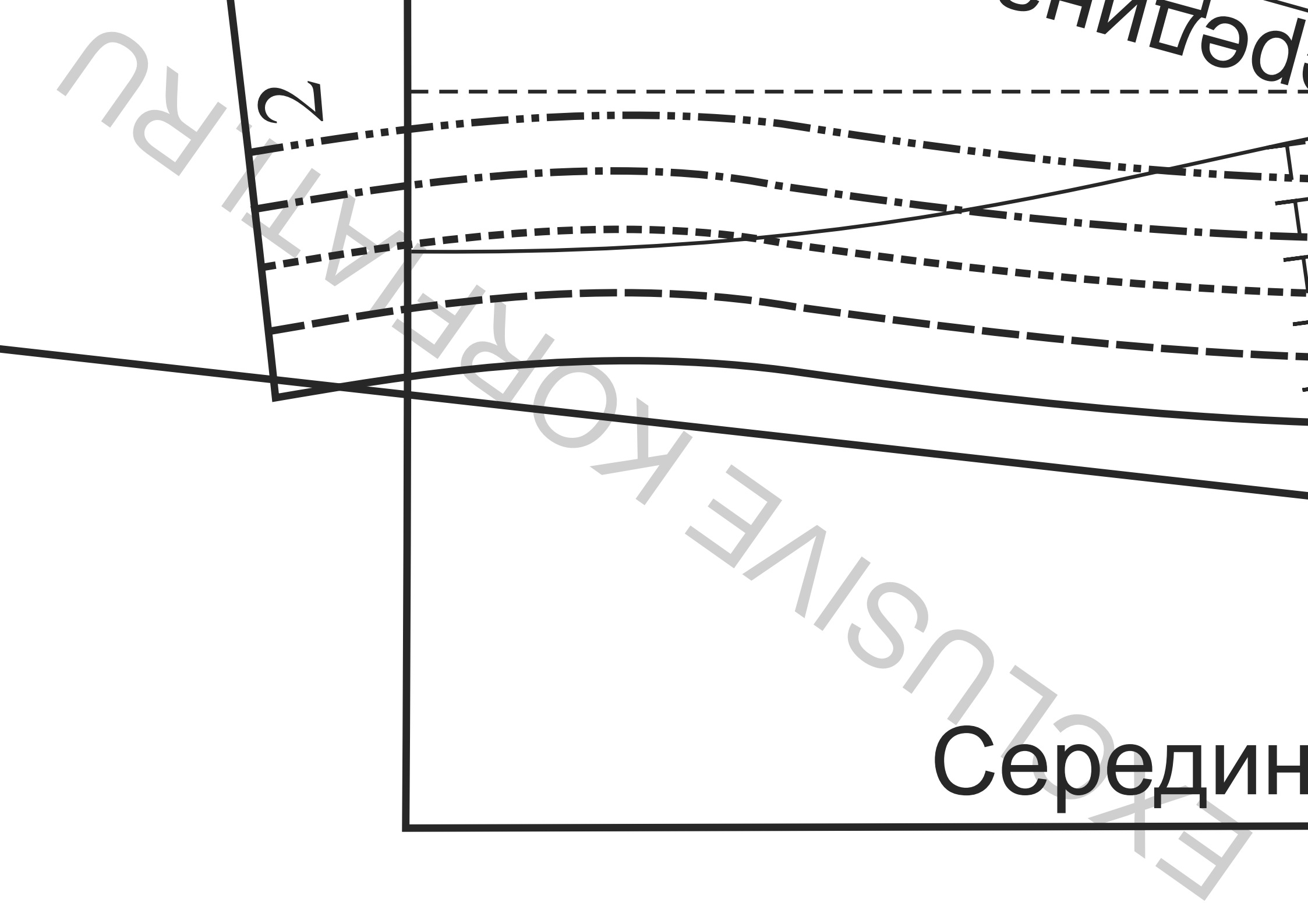
Размер 48



Размер 50

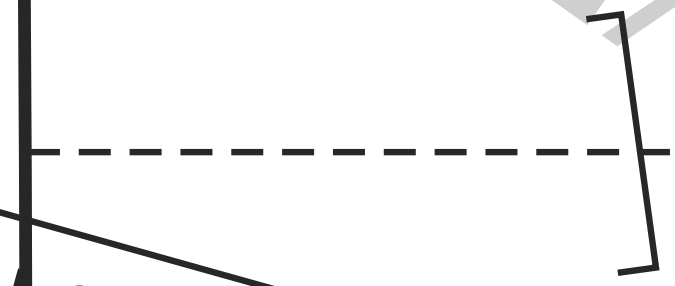
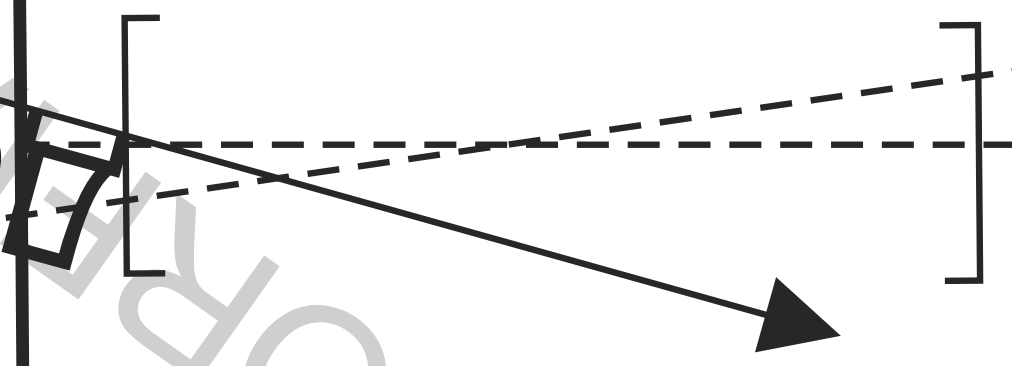


4

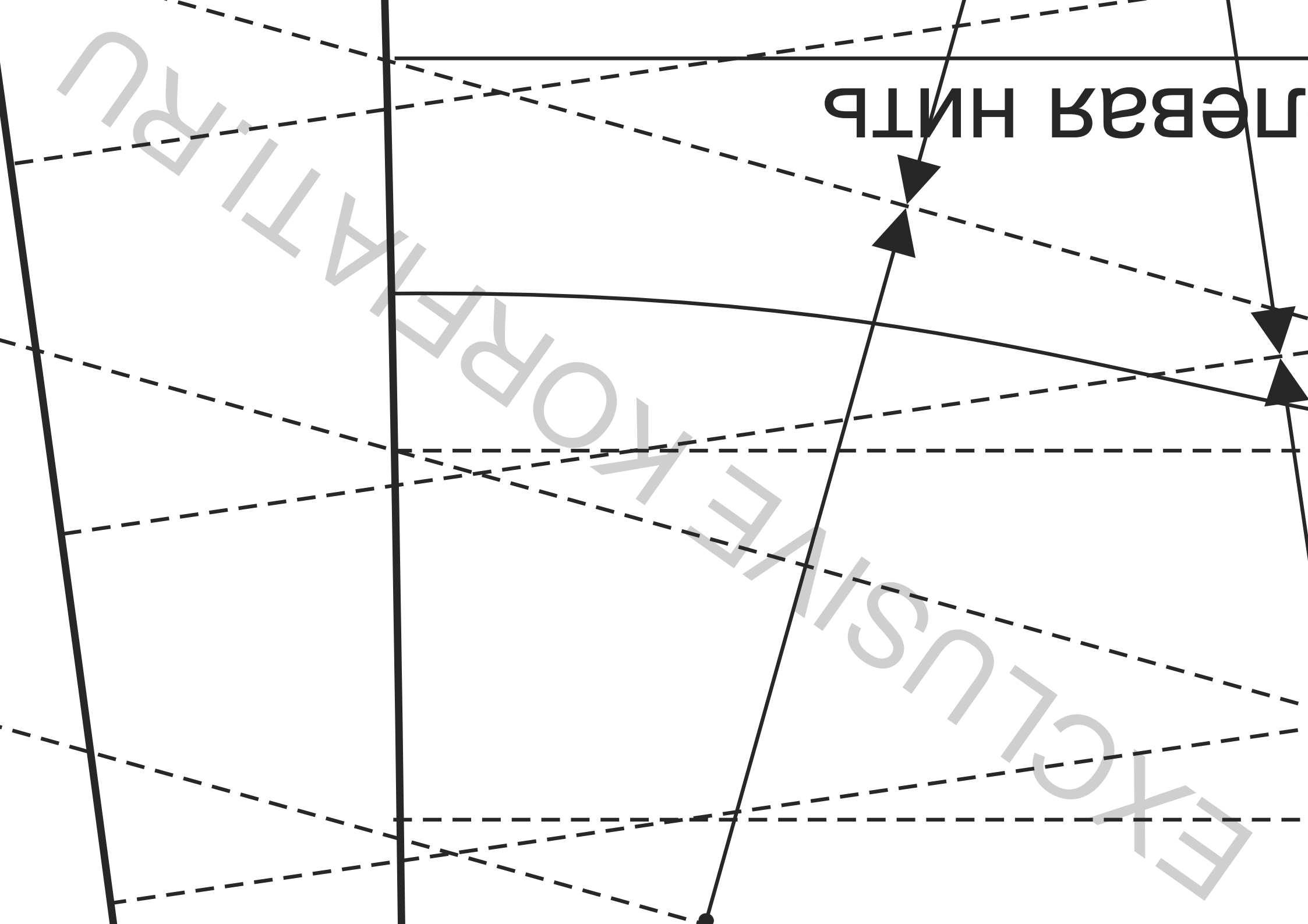


История
полетов

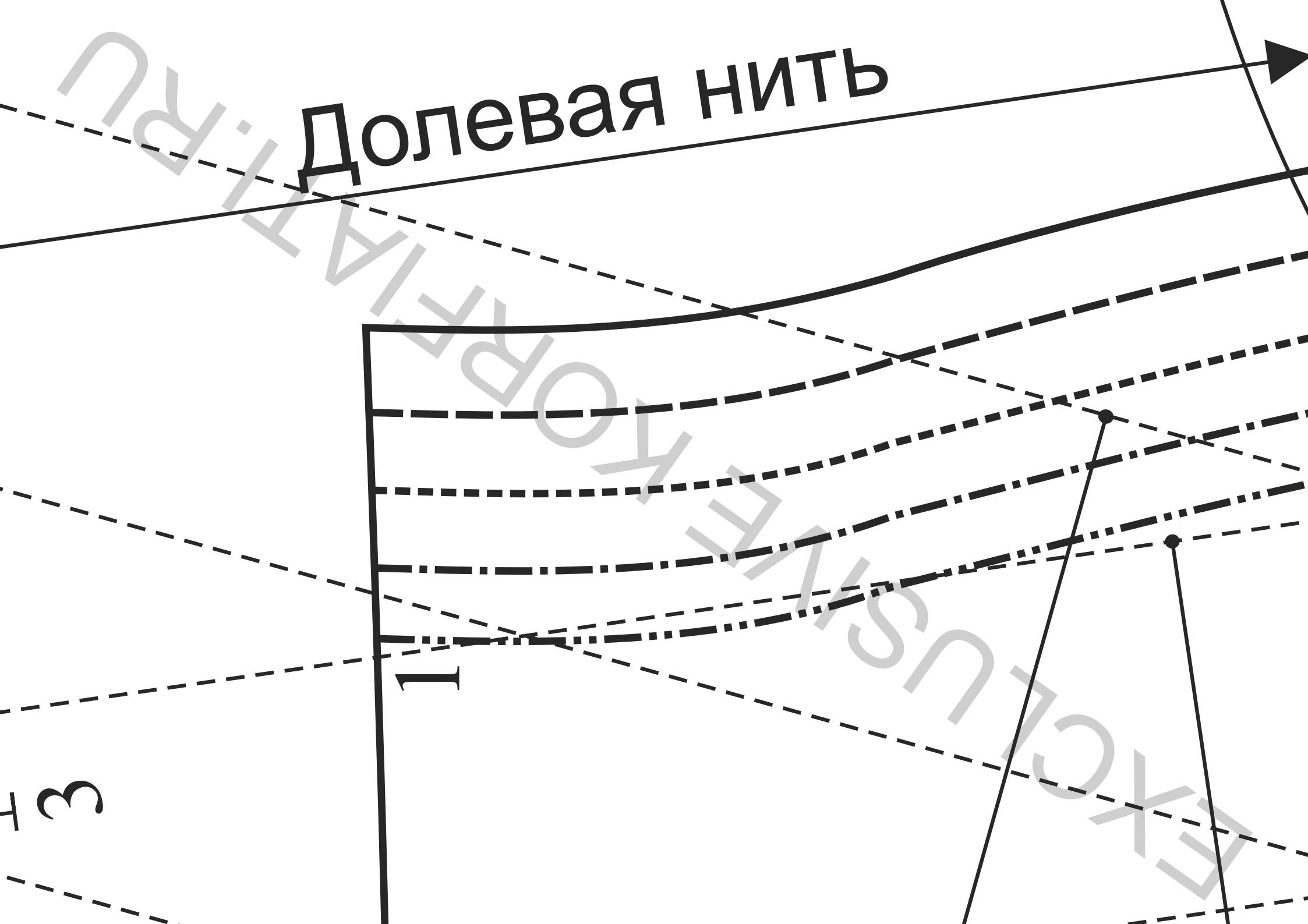
Эксплуатация
полетов

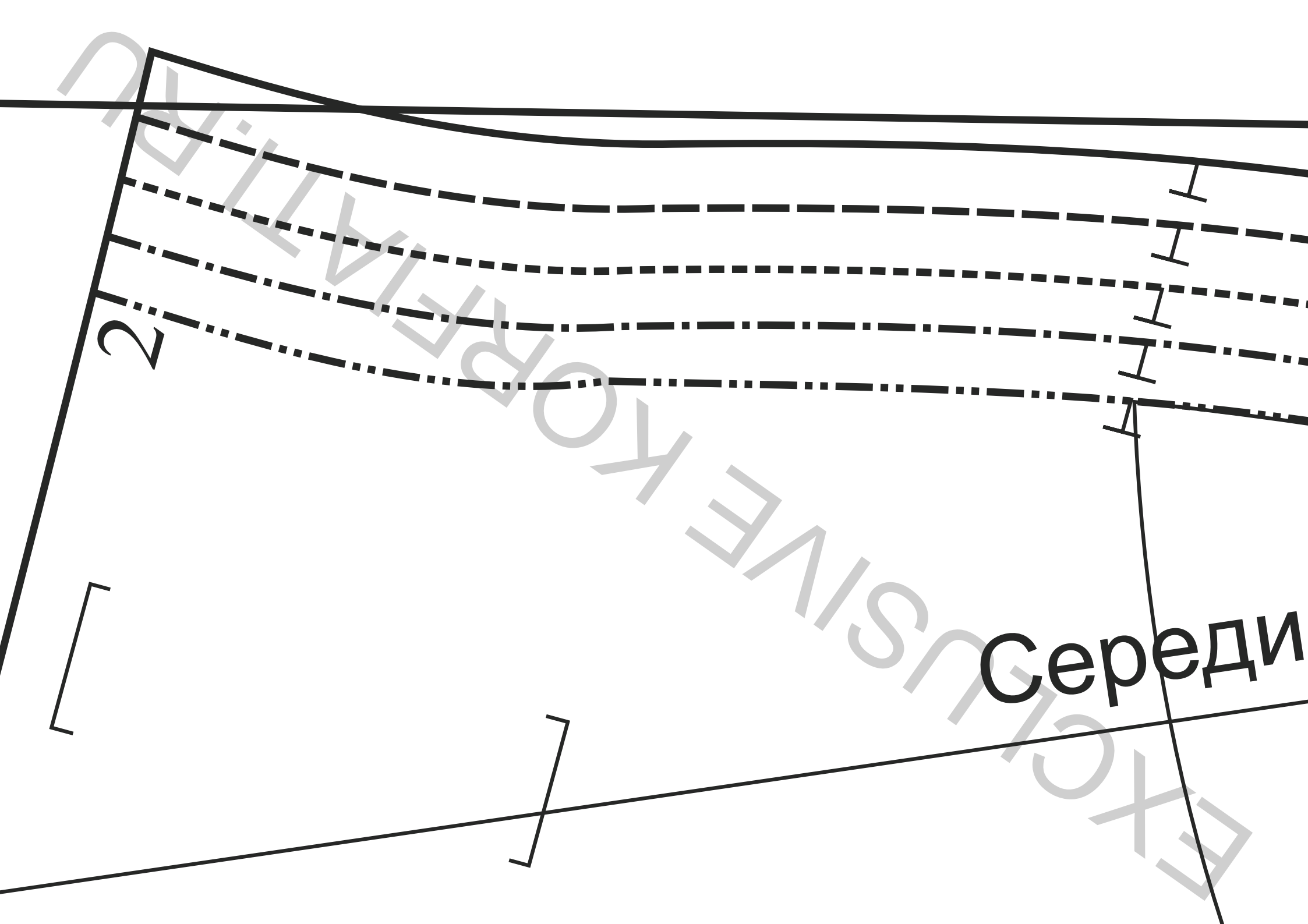


ЛЕВАЯ НИТЬ



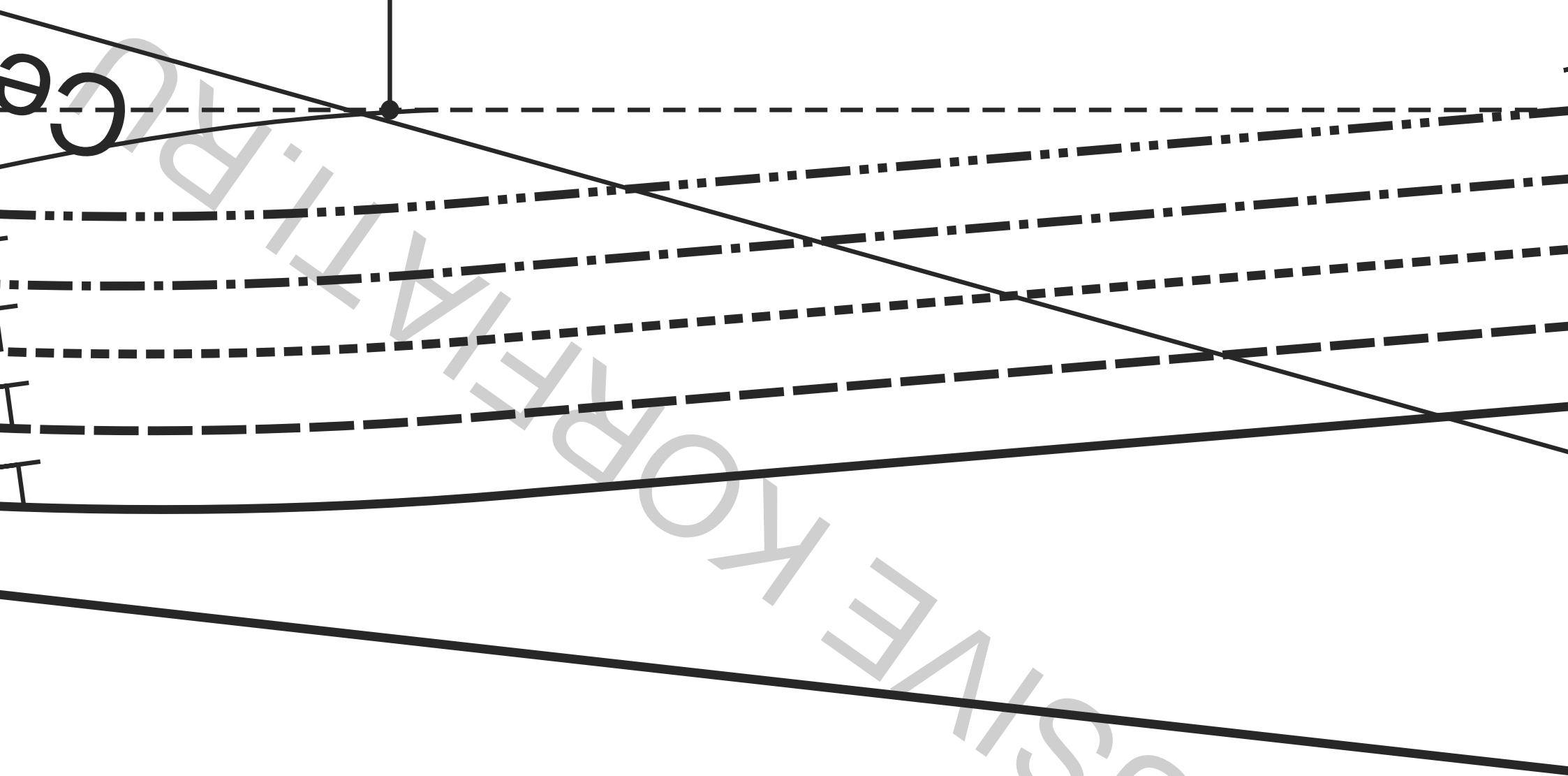
Долевая нить



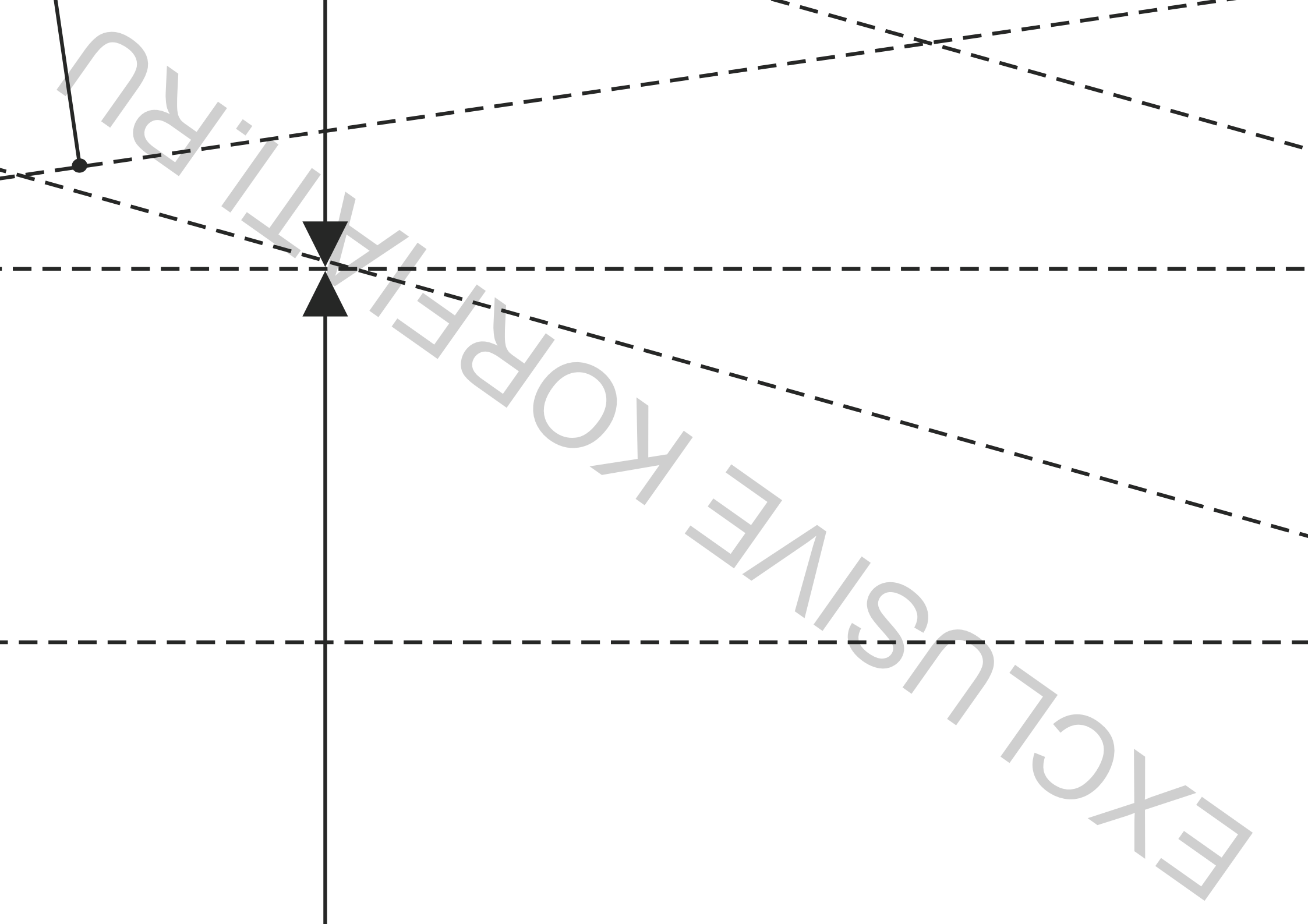


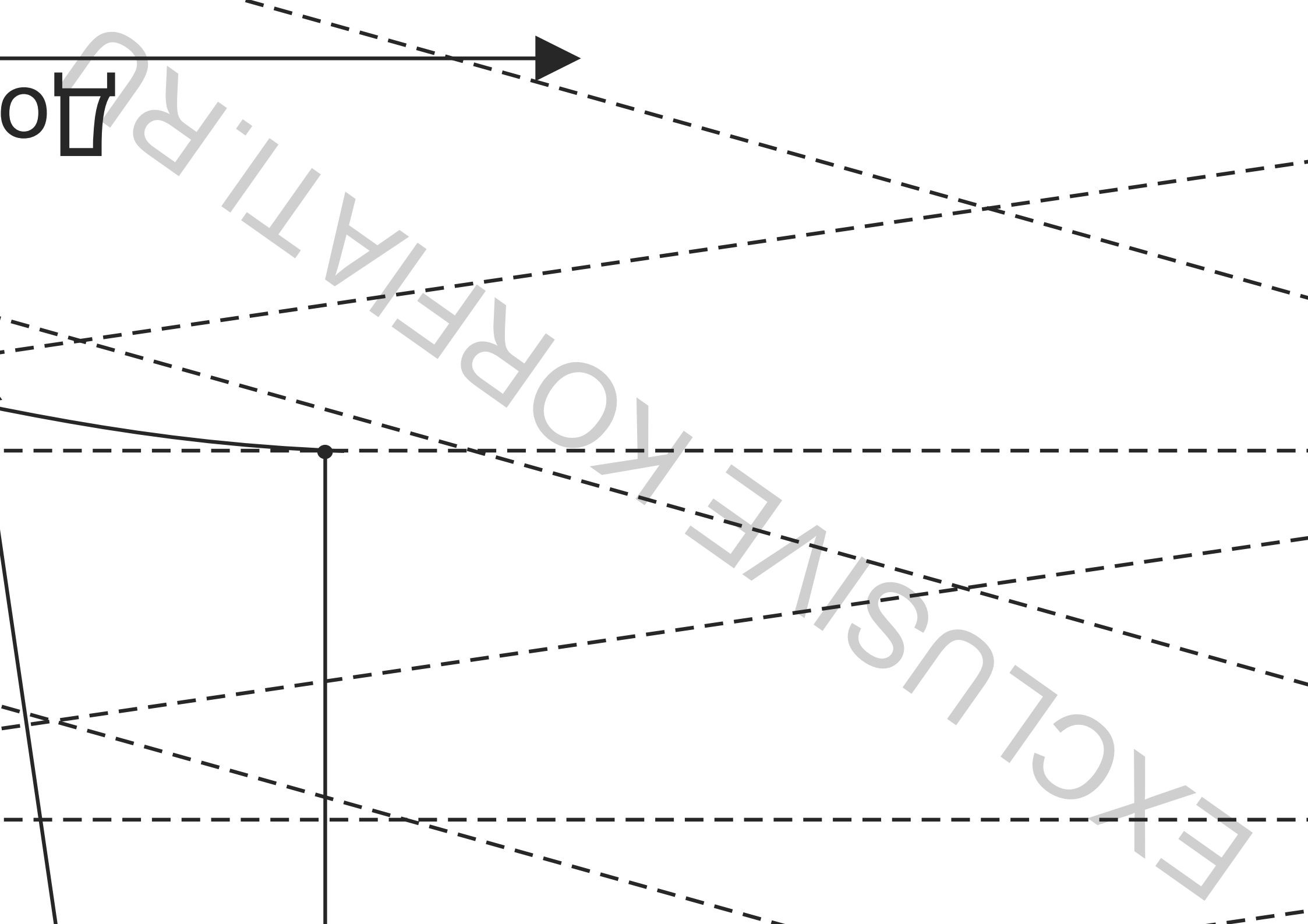
Середи

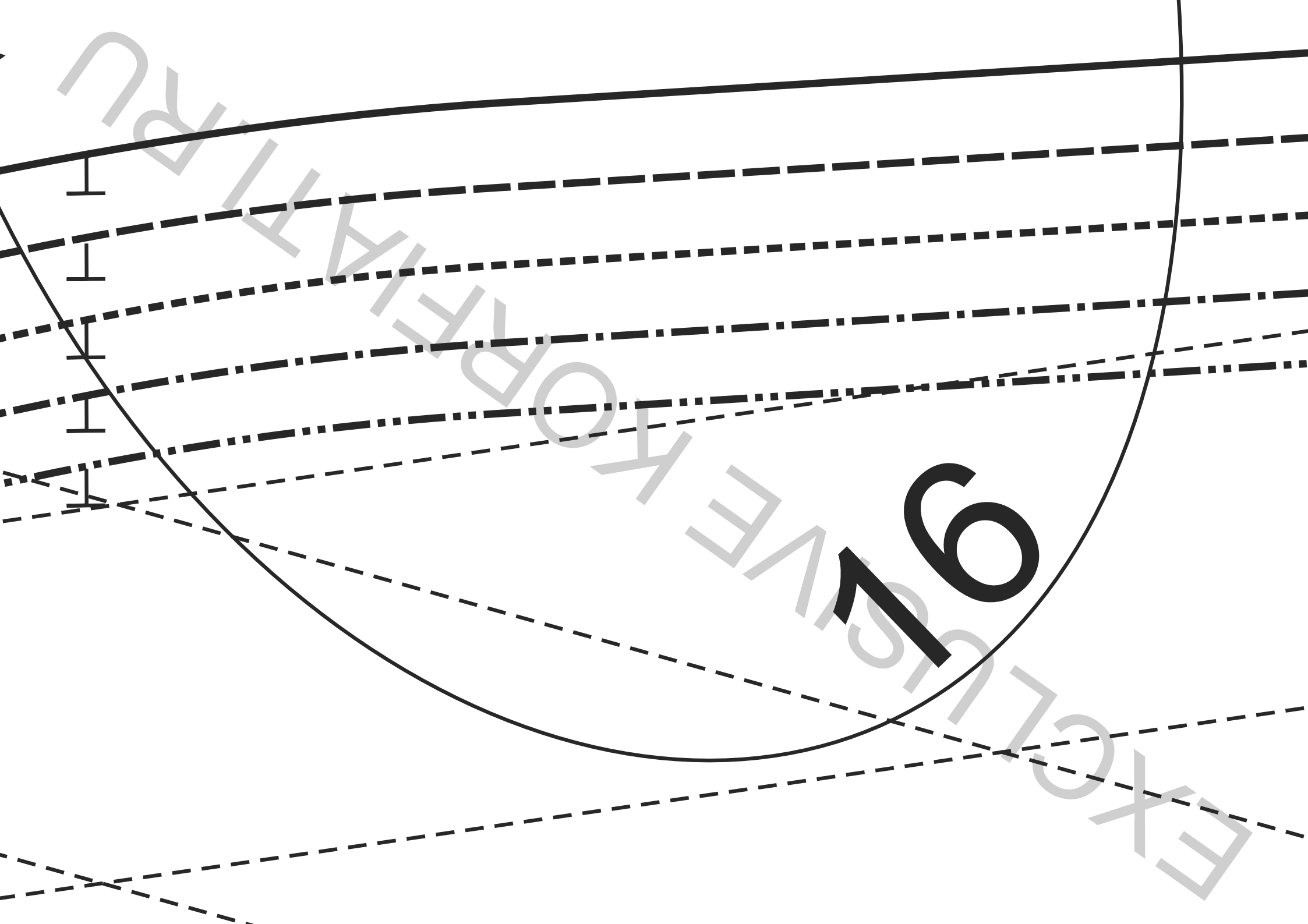
2



на задней половине, сгиб ткан



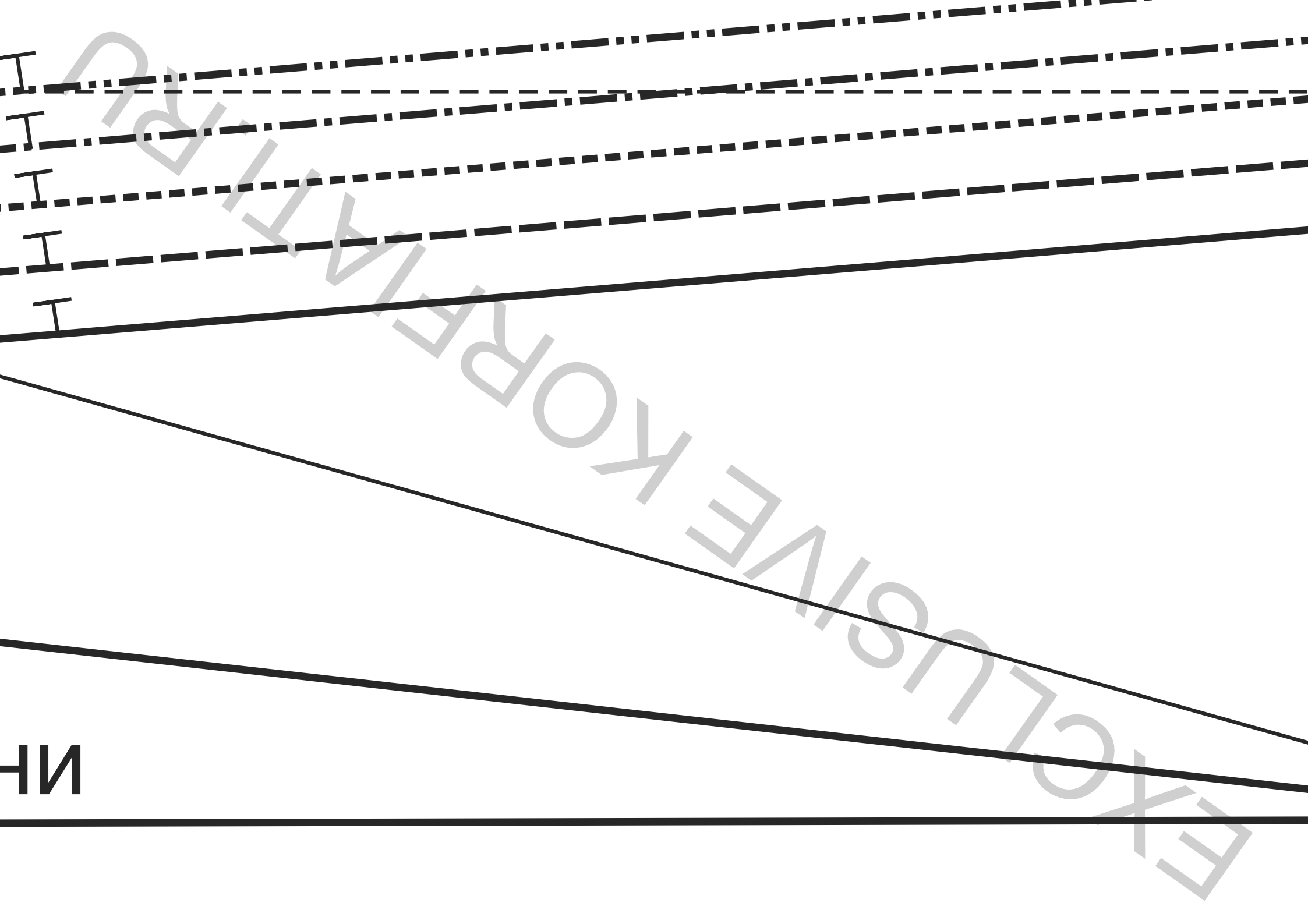




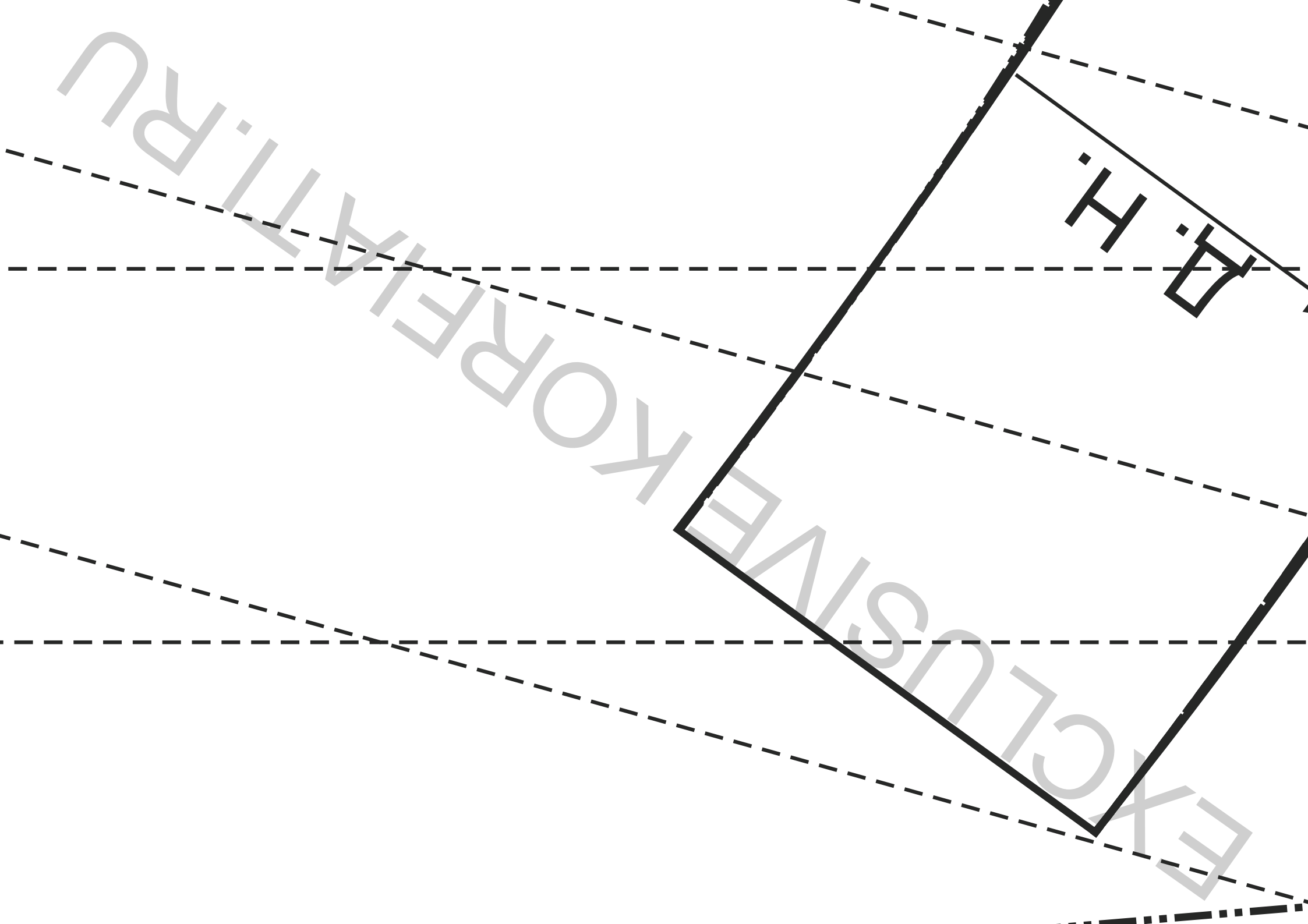
916

EXCELLENCE

на передней половинки

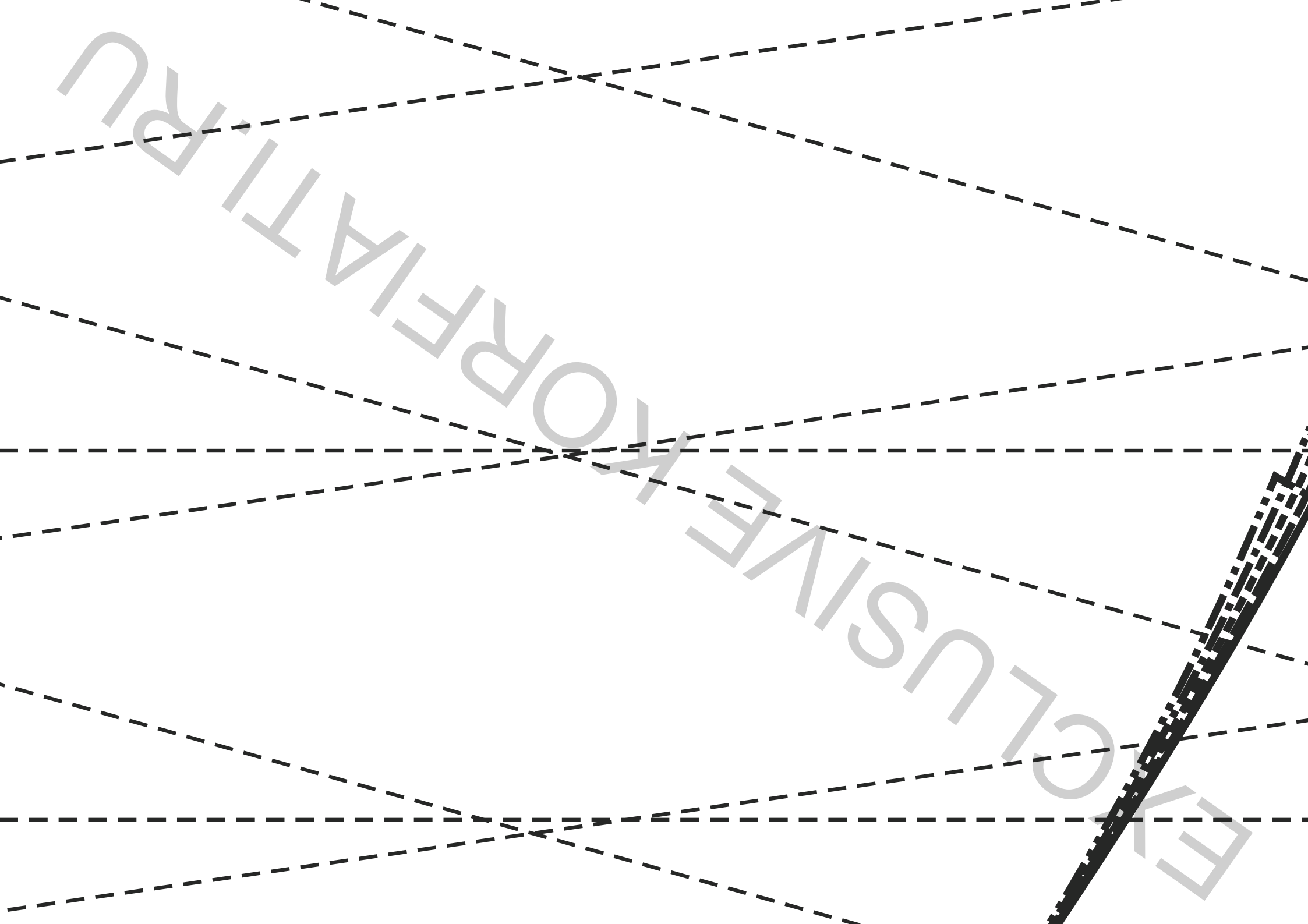


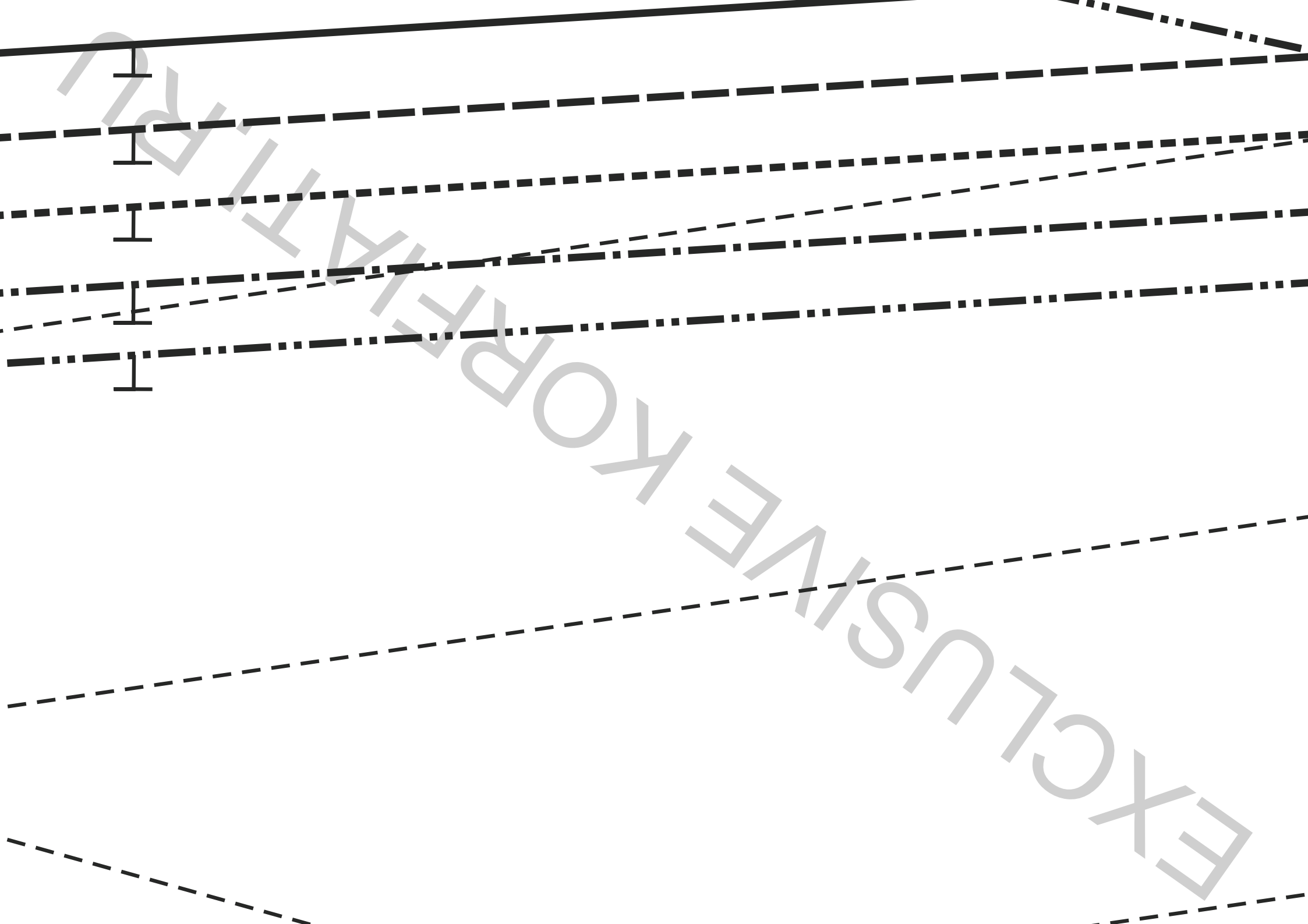
ИИ



EXCLUSIVELY FOR KOREAN AIR

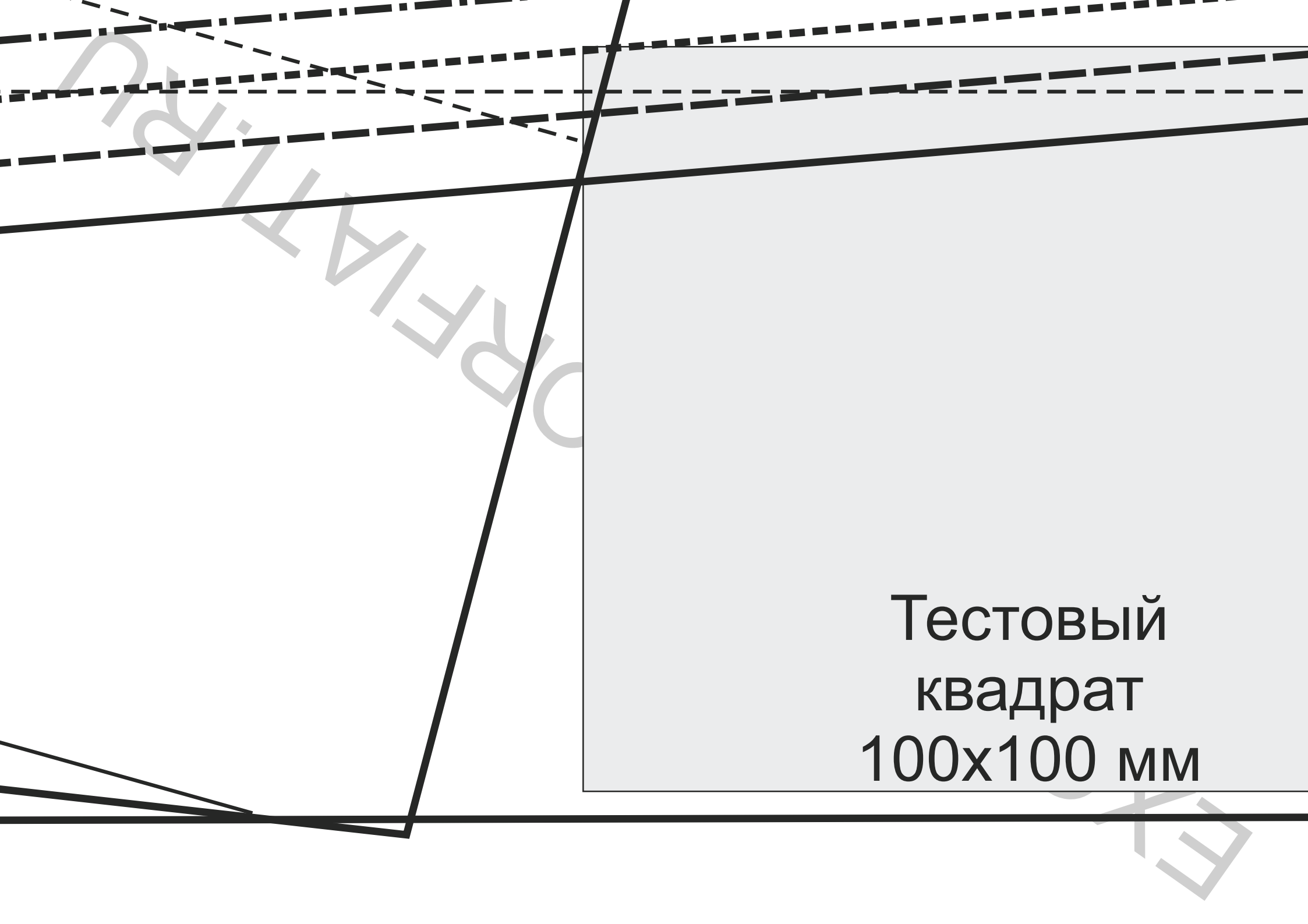
대한항공





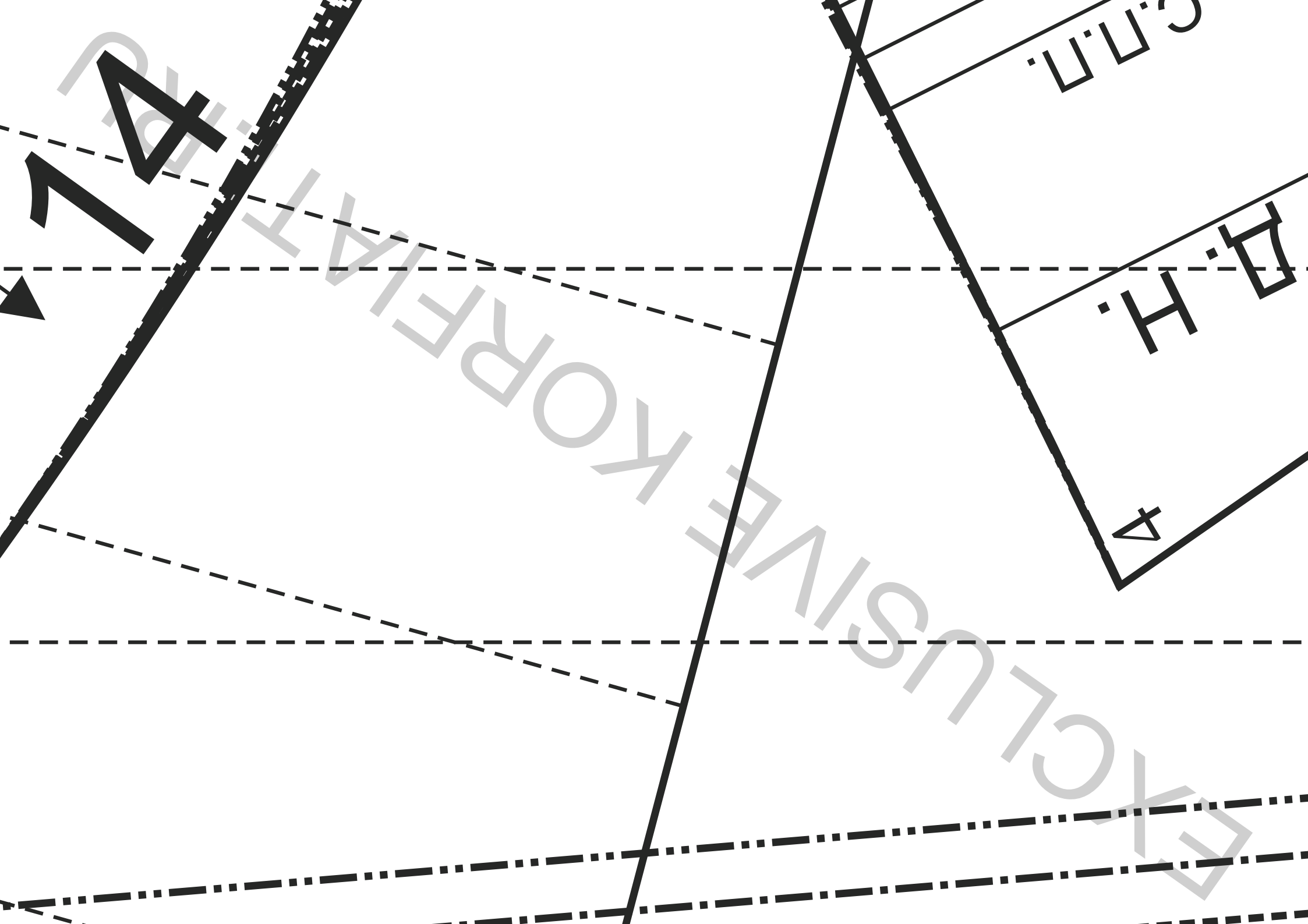
13

ҚАЗАҚСТАН РЕСПУБЛИКАСЫ АЛМАТЫ АҚПАРАТТЫҚ ОРТАНЫ



Тестовый
квадрат
100x100 мм

The image shows a technical drawing of a square with a side length of 100 mm. The square is shaded in light gray and is positioned on the right side of the page. It is surrounded by various construction lines, including solid, dashed, and dash-dot lines, which are used to define its geometry and alignment. A prominent solid line runs diagonally from the top-left towards the bottom-right, intersecting the square. Other lines are horizontal and vertical, defining the square's boundaries and its position relative to the page's edges. The text 'Тестовый квадрат 100x100 мм' is located in the bottom-right corner of the square area.

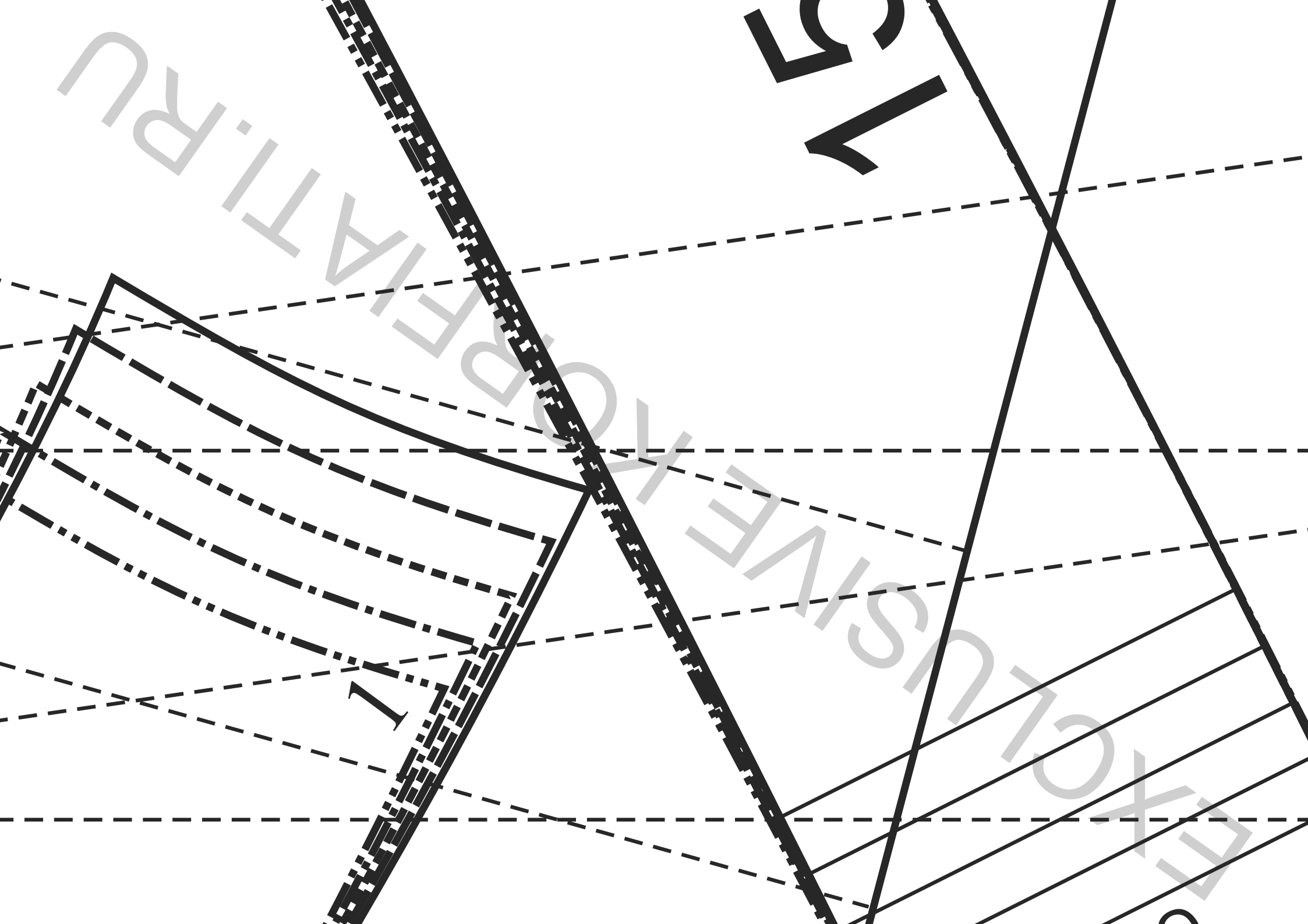


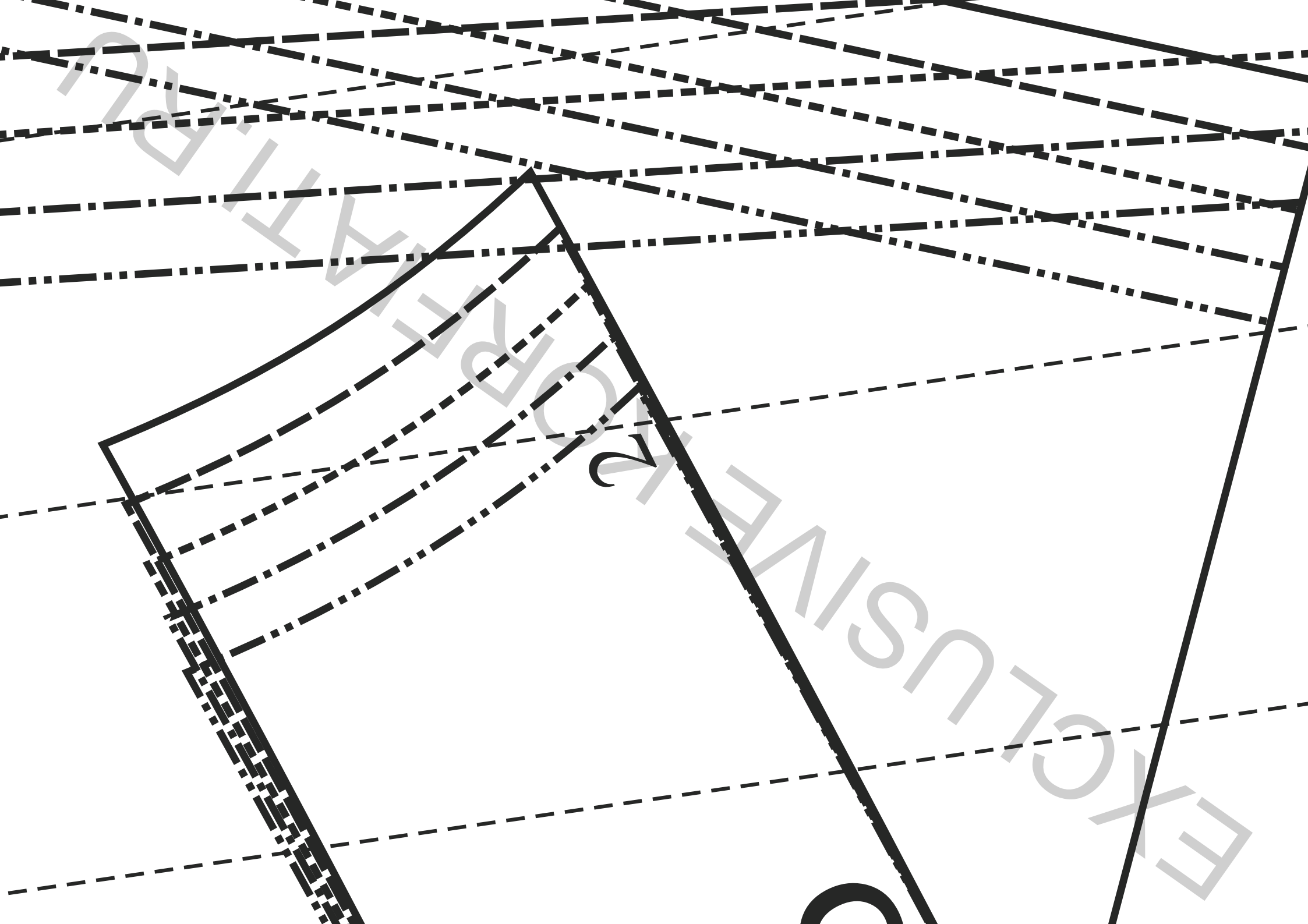
14

С.П.П.

Д.Н.

САХТУС МЕНЕДЖМЕНТ КОРПОРАЦИЯ



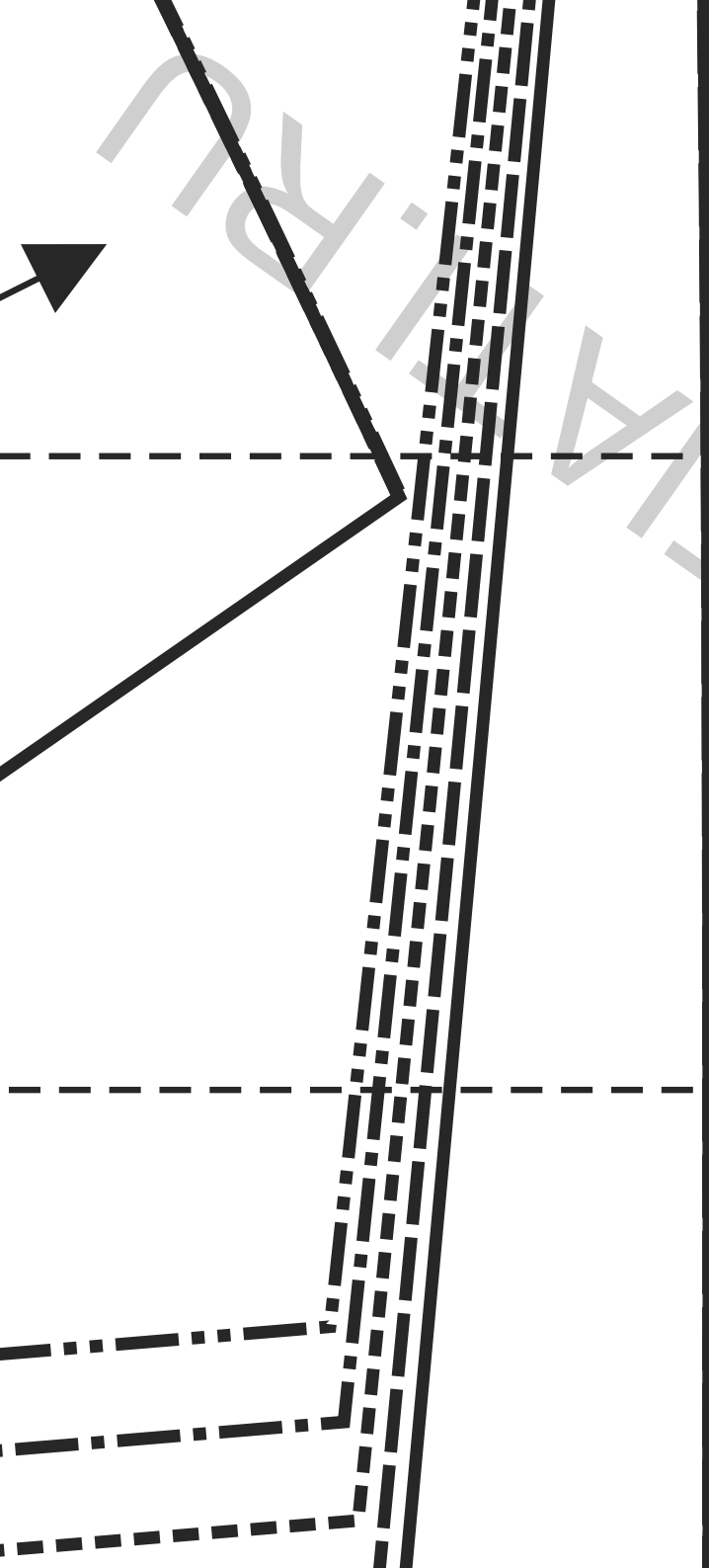


EXCLUSIVELY FOR THE PROJECT

11



EXCLUSIVELY FOR THE USE OF THE CLIENT



EXCLUSIVELY FOR YOUR USE

