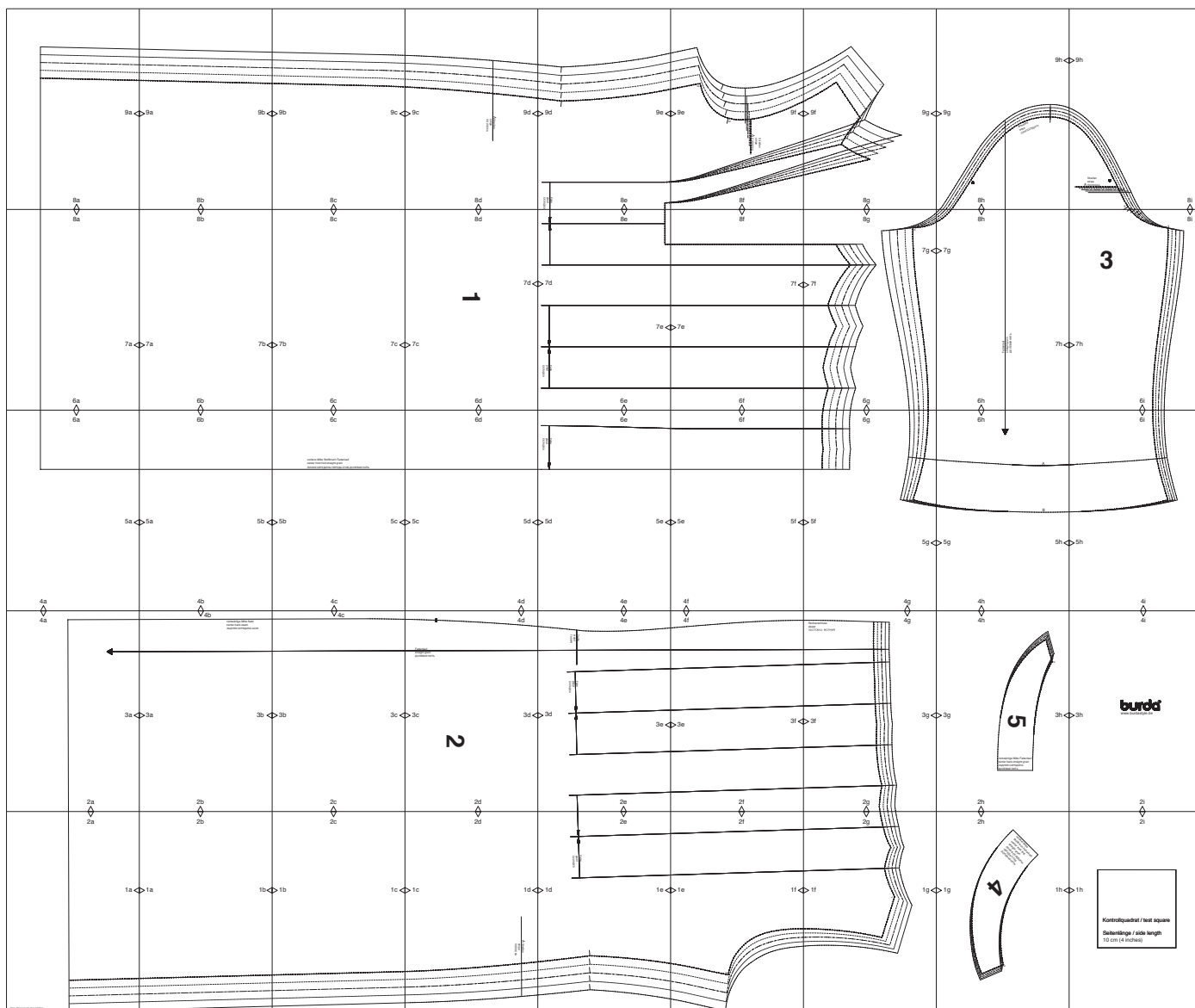


burda Download-Schnitt

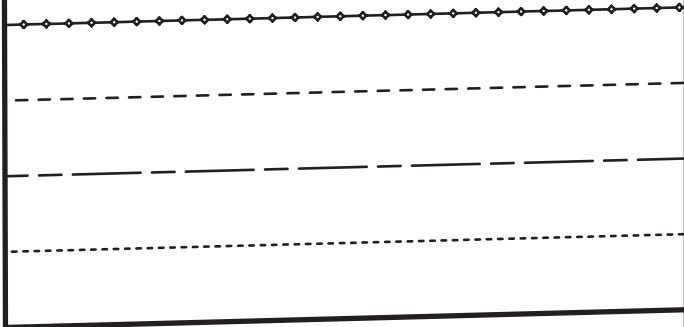
Modell 108 Burda Style 10/2012



Copyright 2012 by Verlag Aenne Burda GmbH & Co. KG, Hubert-Burda Platz 2, D-77652 Offenburg
Sämtliche Modelle, Schnittteile und Zeichnungen stehen unter Urheberschutz, gewerbliches Nacharbeiten ist untersagt.
Der Verlag haftet nicht für Schäden, die durch unsachgemäße Handhabung des Schnitts, der Materialien,
unsachgemäße Ausführung der Tipps und Anleitungen oder unsachgemäße Nutzung der Modelle entstehen.

2a

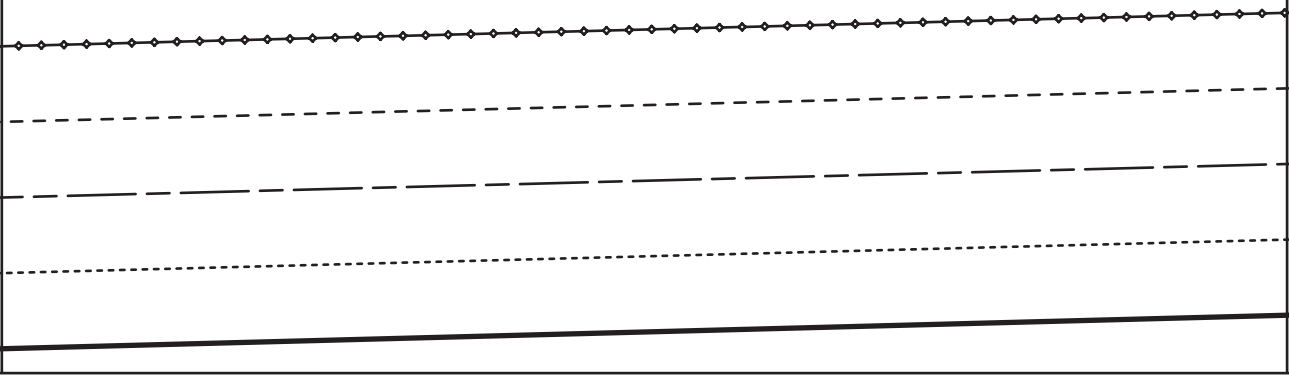
1a



2b

1a

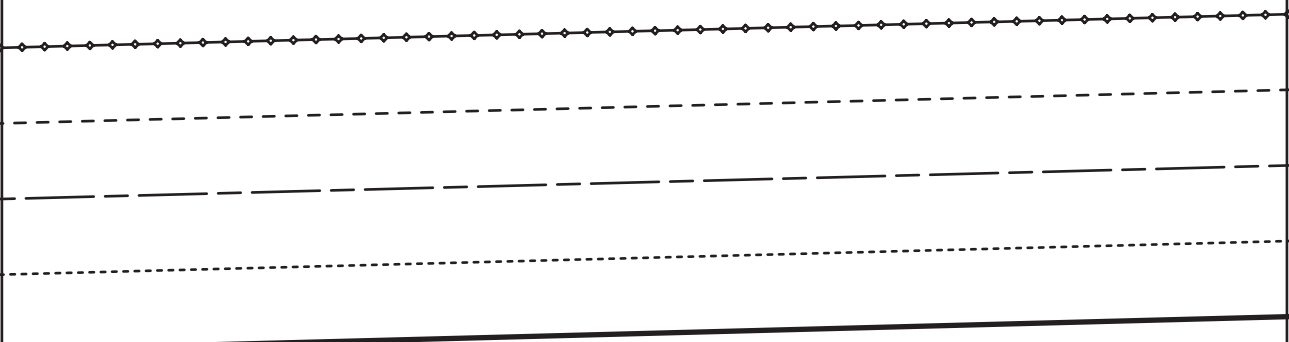
1b



2c

1b

1c

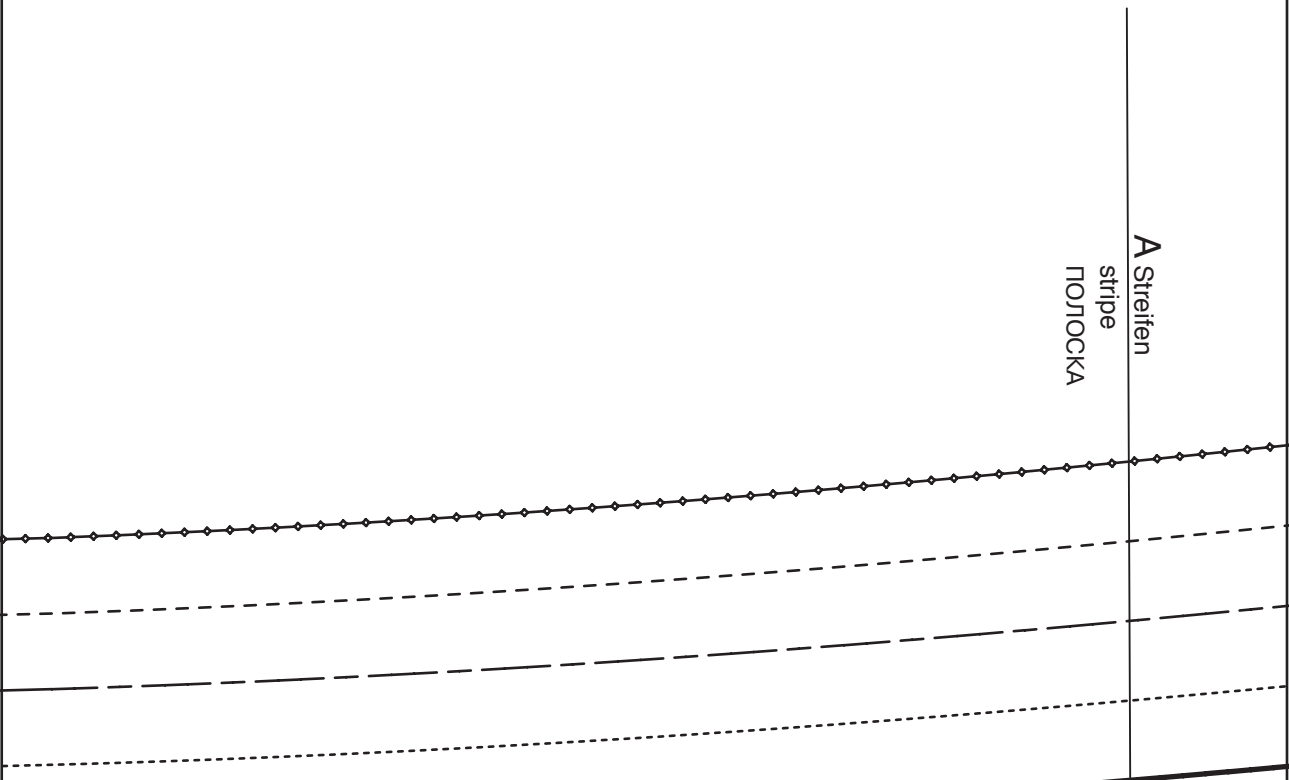


2d

1c

1d

A
Streifen
stripe
ПОЛІОСКА

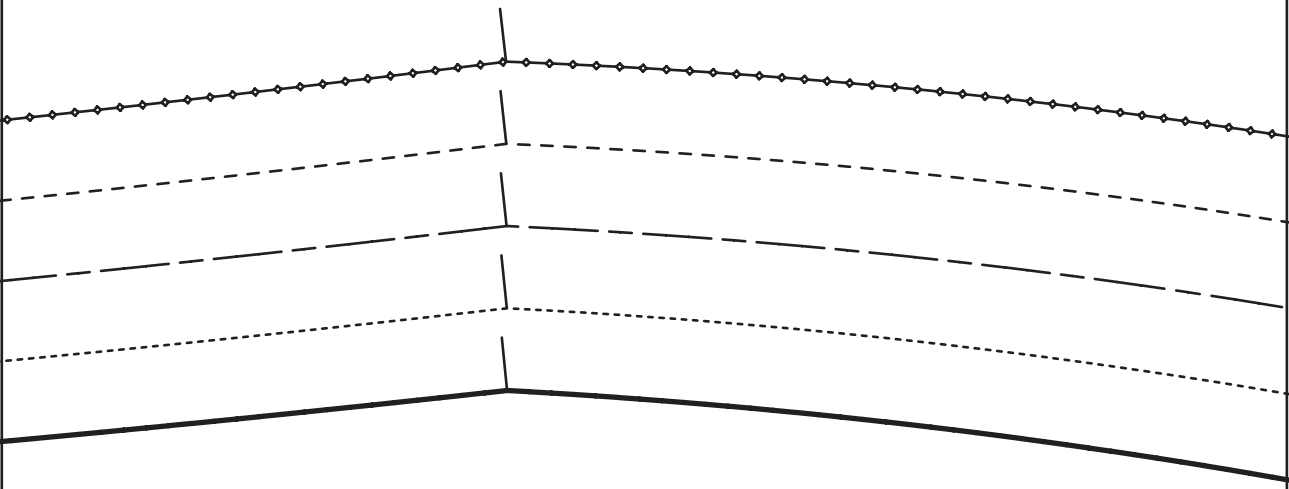


2e

Falte
pleat
СКЛАДКА

1d

1e

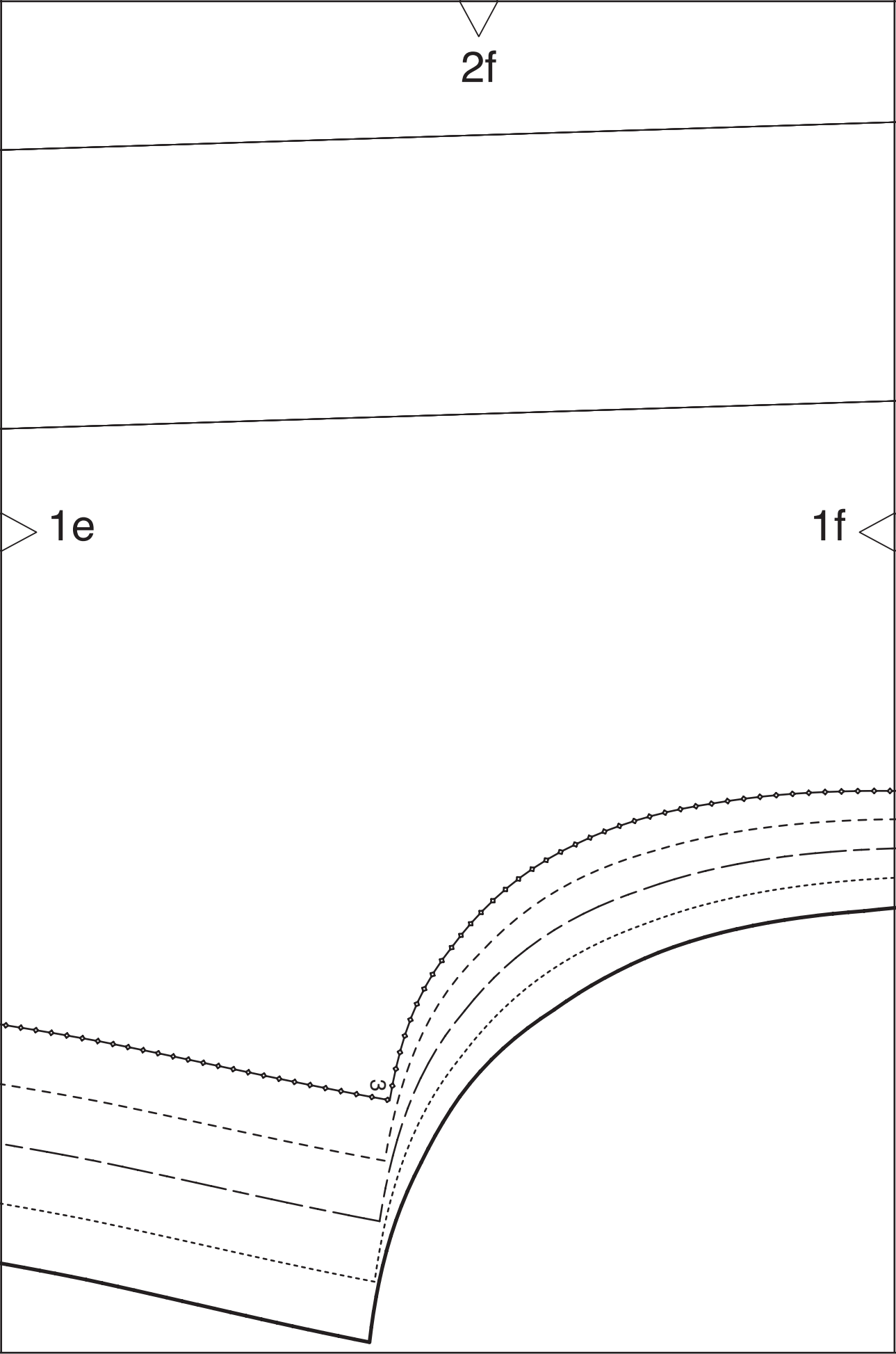


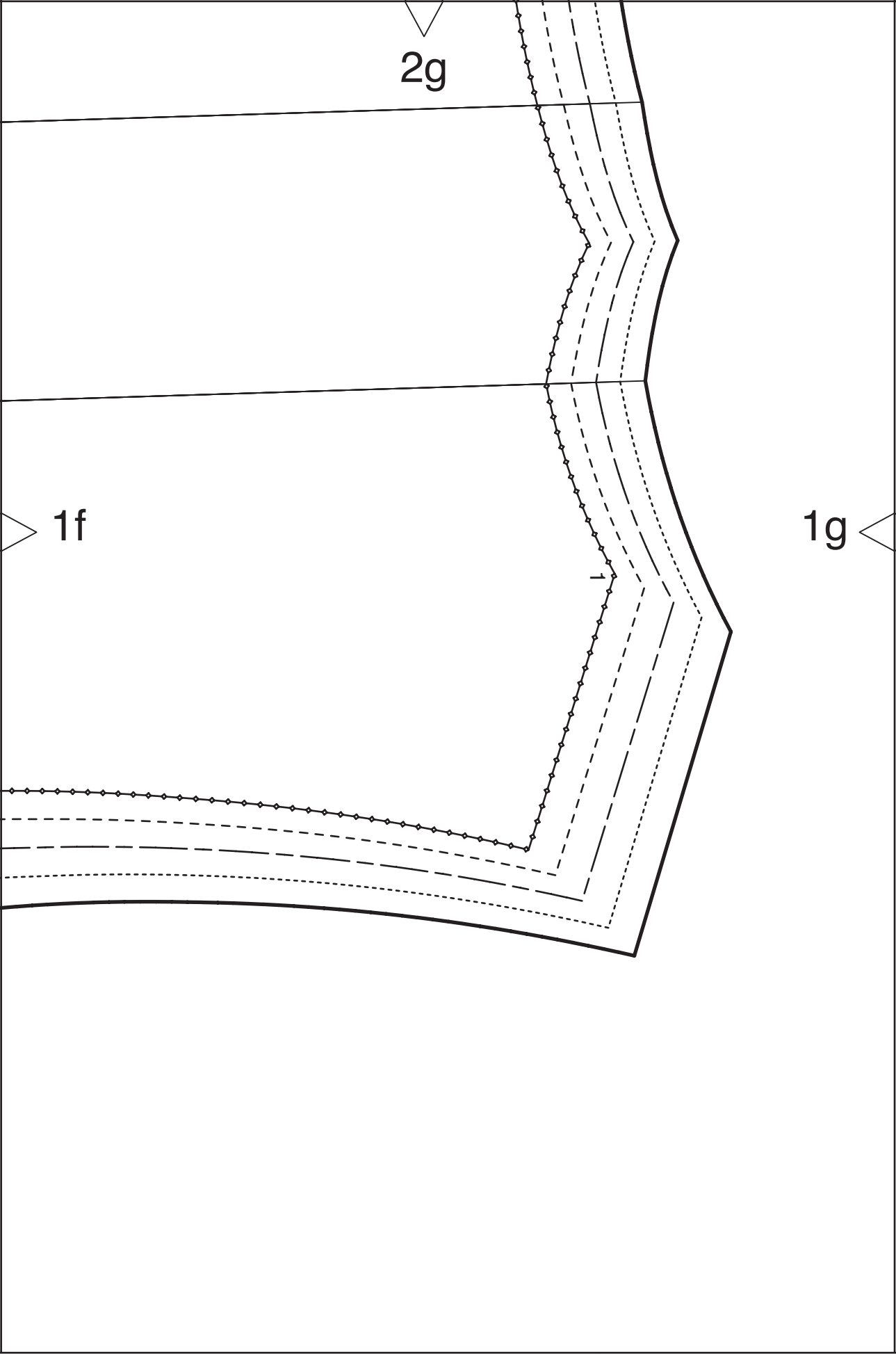
2f

1e

1f

3





2h

vordere Mitte
Stoffbruch Fadenlauf
center front fold
straight grain
ЛИНИЯ СЕРЕДИНЫ
ПЕРЕДА СГИБ
ДОЛЕВАЯ НИТЬ

1g

1h



2i

1h

Kontrollquadrat / test square

Seitenlänge / side length

10 cm (4 inches)

4a

3a

2a



4b

rückwärtige Mitte Naht
center back seam
ЗАДНЯЯ СЕРЕДИНА ШОВ

3a

3b

2b

4c

3b

3c

2c

4d

Fadenlauf
straight grain
ДОЛЕВАЯ НИТЬ

3c

3d

2

2d

4e

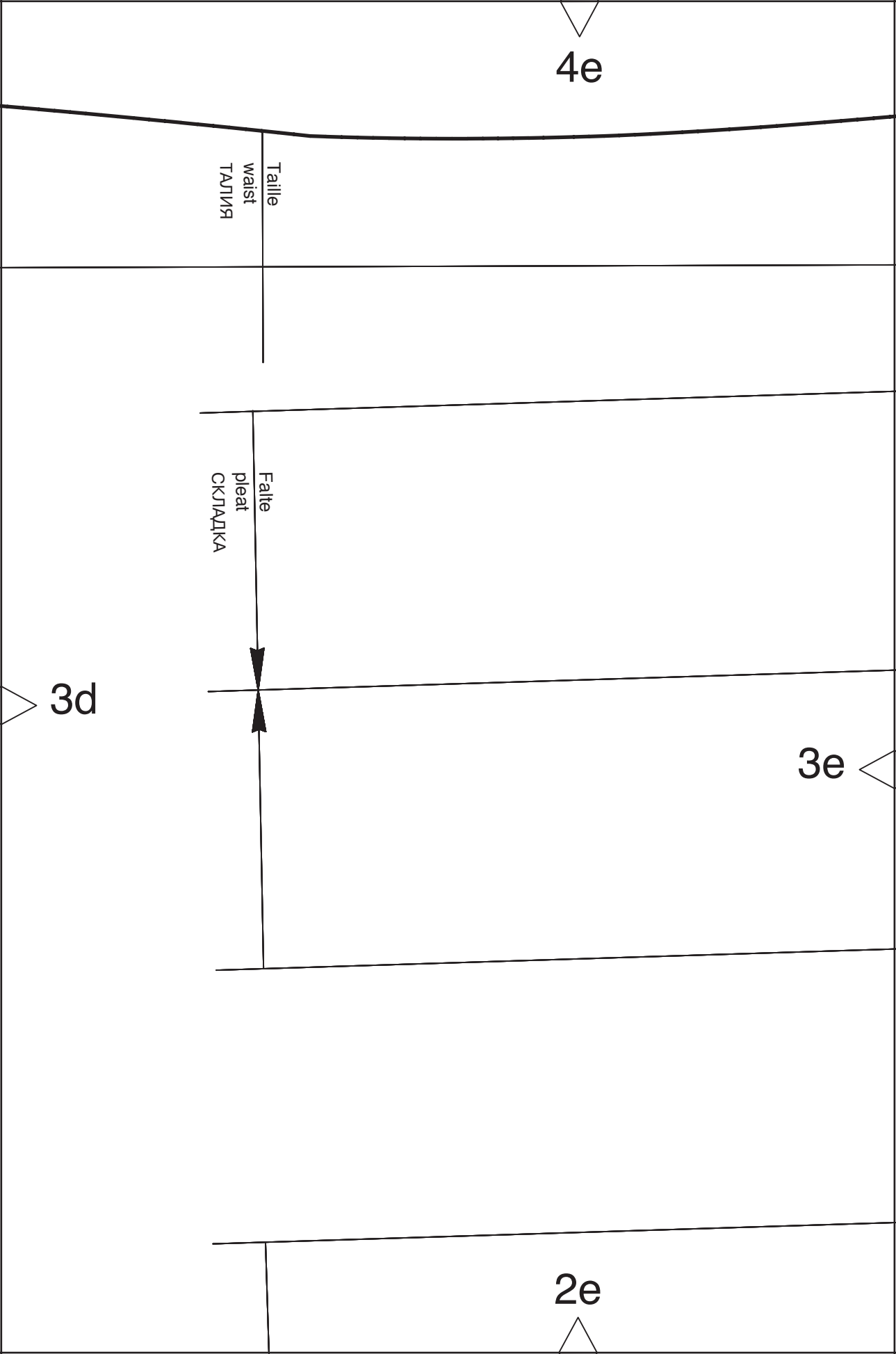
Taille
waist
ТАЛИЯ

Falze
pleat
СКЛАДКА

3d

3e

2e

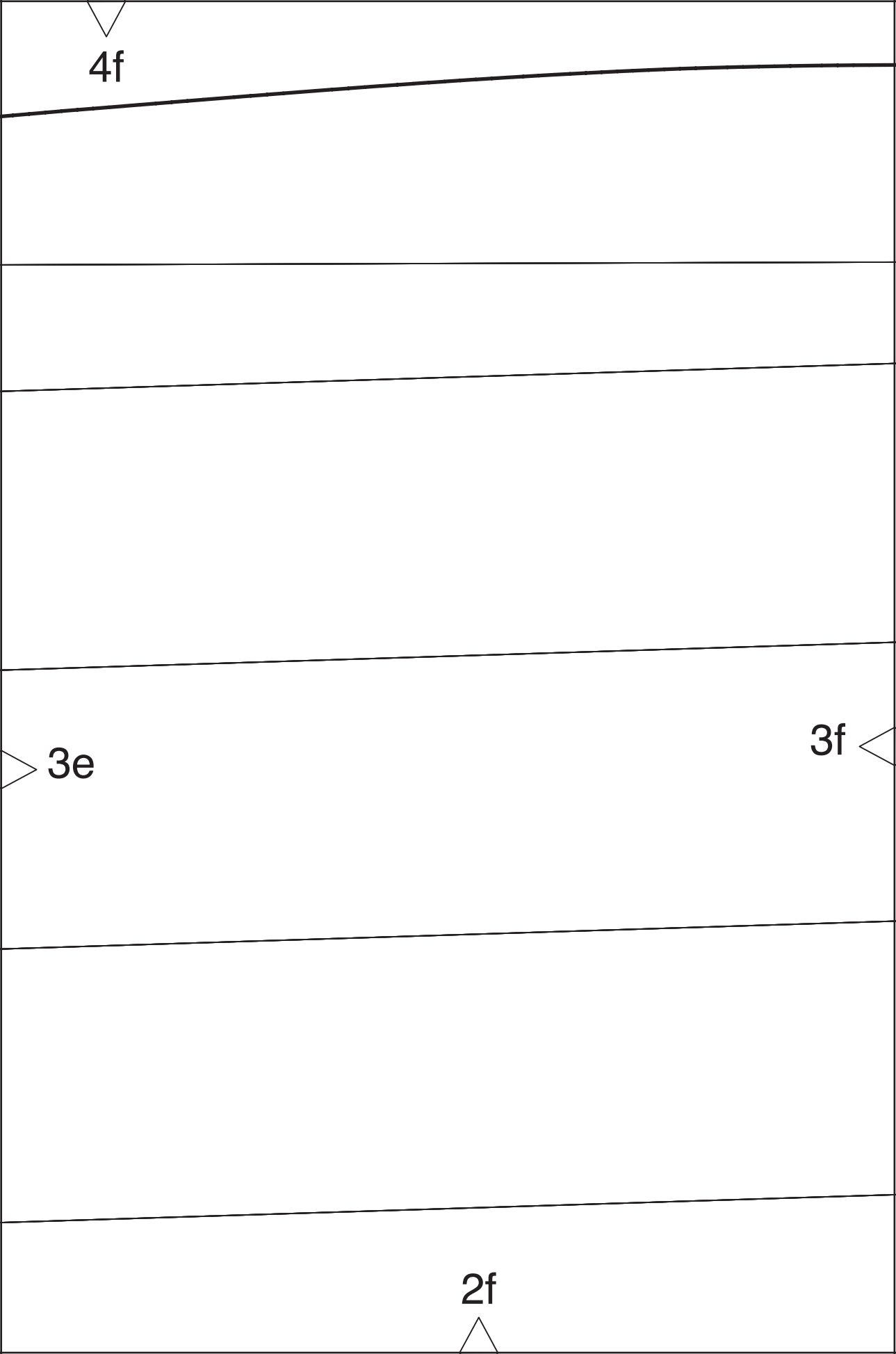


4f

3e

3f

2f



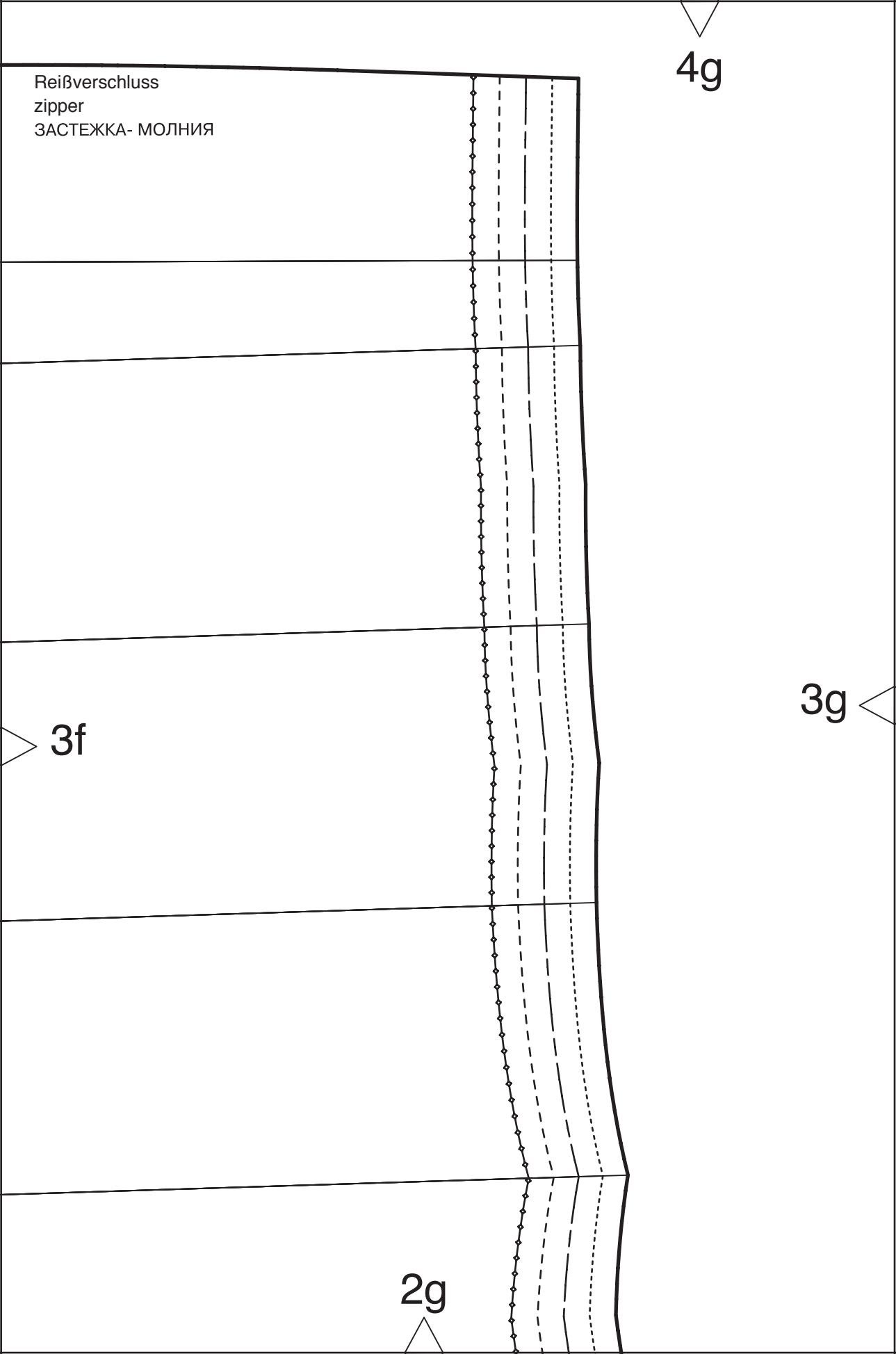
Reißverschluss
zipper
ЗАСТЕЖКА-МОЛНИЯ

4g

3f

3g

2g



4h

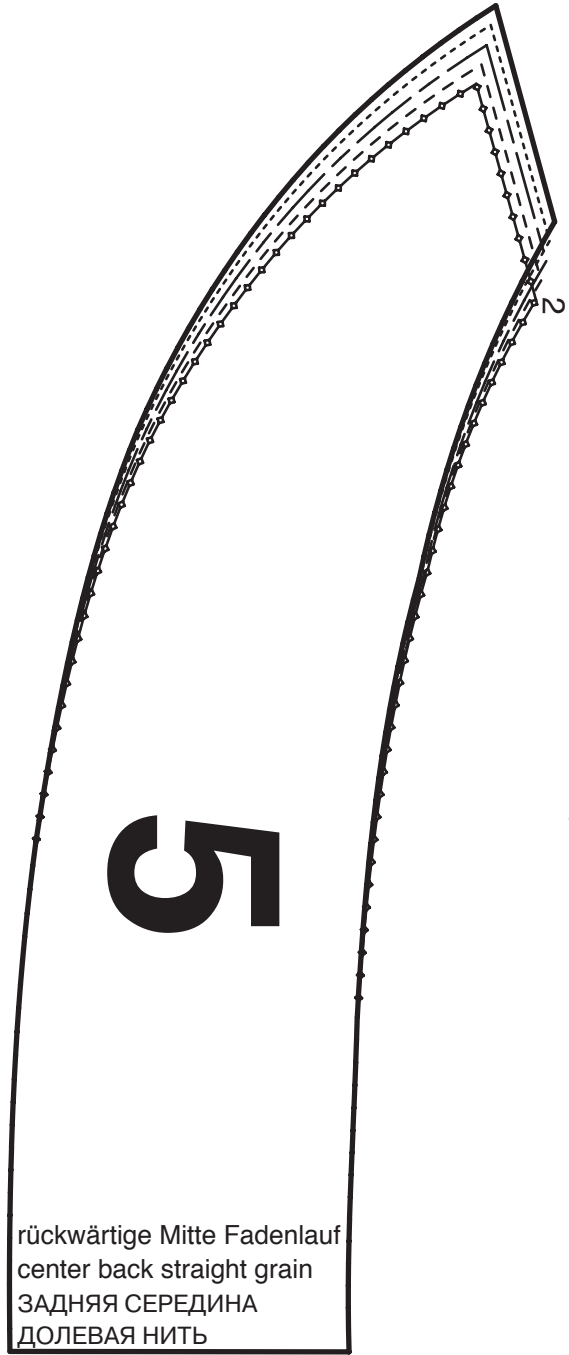
3g

3h

5

rückwärtige Mitte Fadenlauf
center back straight grain
ЗАДНЯЯ СЕРЕДИНА
ДОЛЕВАЯ НИТЬ

2h



4i

burda[®]
www.burdastyle.de

3h

2i



A diagram consisting of a large outer rectangle and a smaller inner rectangle. The inner rectangle is positioned in the top-left corner of the outer rectangle. Three labels with arrows point to specific parts of the diagram: '4a' points to the bottom edge of the outer rectangle, '5a' points to the right edge of the outer rectangle, and '6a' points to the top edge of the inner rectangle.

6a

5a

4a



6b

4b

5a

5b

6c

vordere Mitte Stoffbruch Fadenlauf
center front fold straight grain
ЛИНИЯ СЕРЕДИНЫ ПЕРЕДА СГИБ ДОЛЕВАЯ НИТЬ

5b

5c

4c

A diagram of a rectangular frame with four external forces. The forces are labeled as follows: 6d at the top center, 5c on the left side, 5d on the right side, and 4d at the bottom right corner. Each force is represented by a small triangle pointing towards the frame.

6d

5c

5d

4d

6e

Falte
pleat
СКЛАДКА

5d

5e

4e

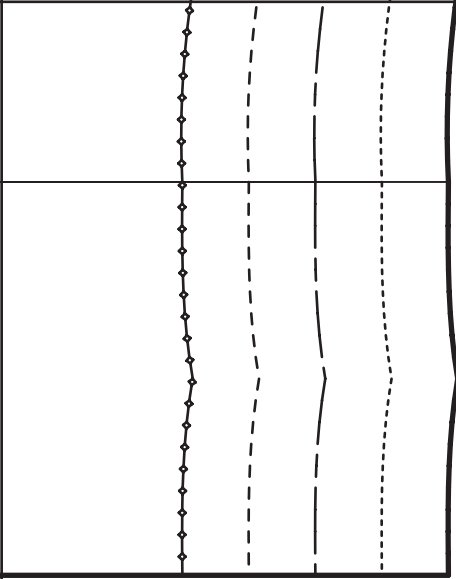
A diagram of a rectangular frame divided into three horizontal sections by two lines. The top section is the smallest, the middle section is medium-sized, and the bottom section is the largest. Labels are placed at the corners of the frame: '6f' at the top center, '5e' at the middle-left corner, '5f' at the middle-right corner, and '4f' at the bottom-left corner. Each label is accompanied by a small triangle pointing towards the corner it labels.

6f

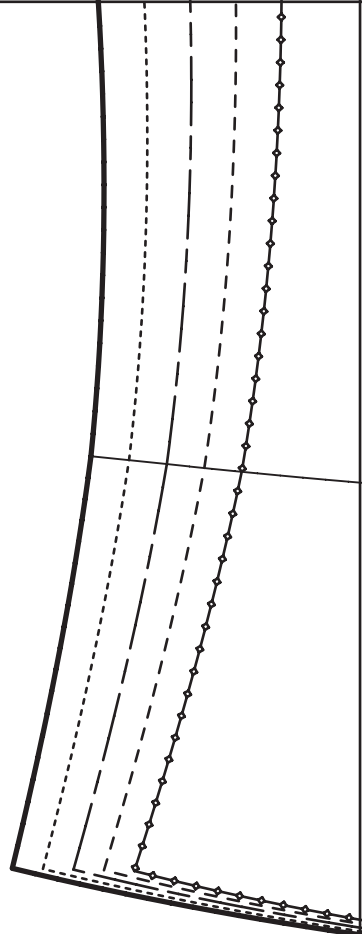
5e

5f

4f



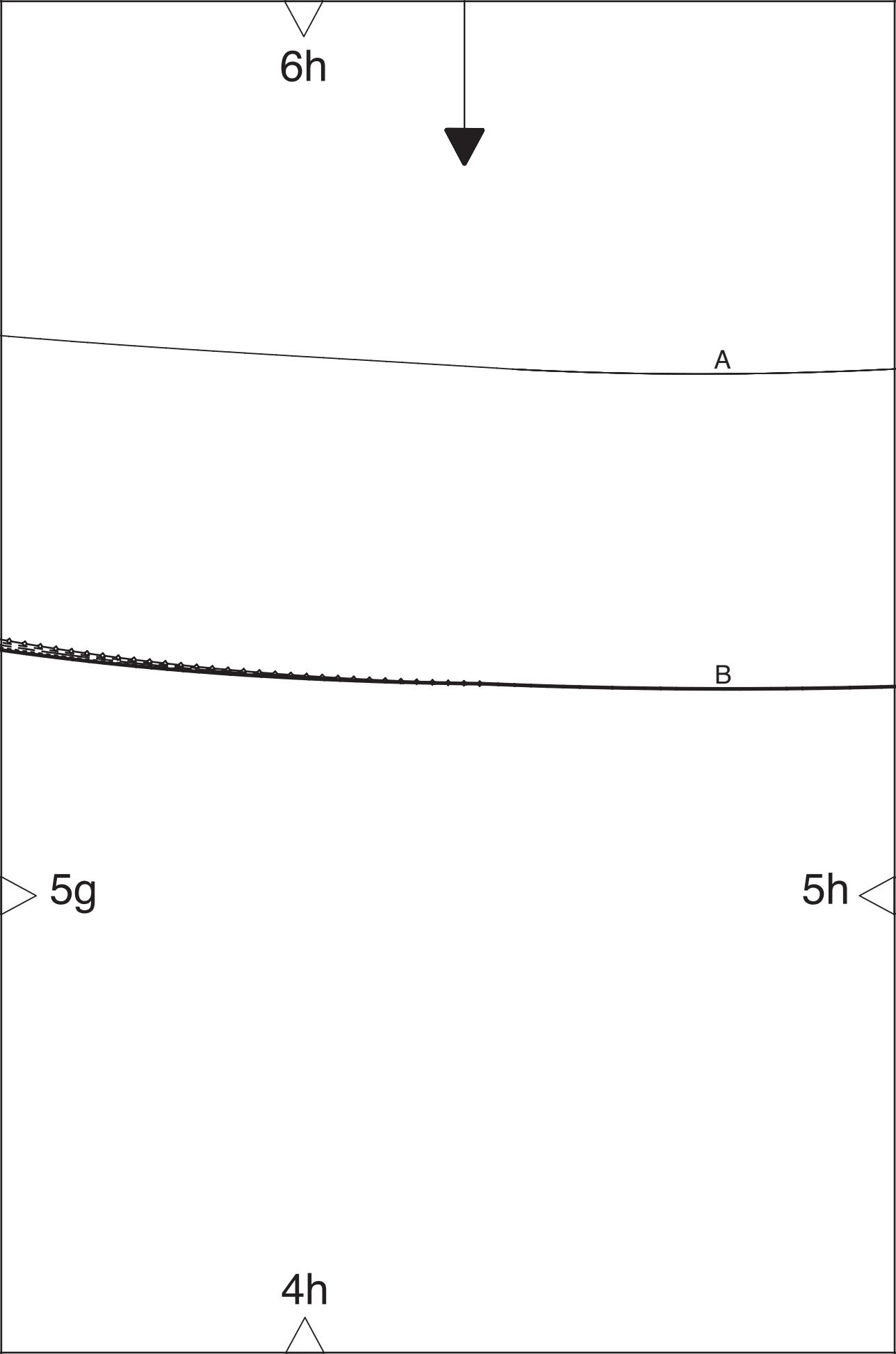
6g

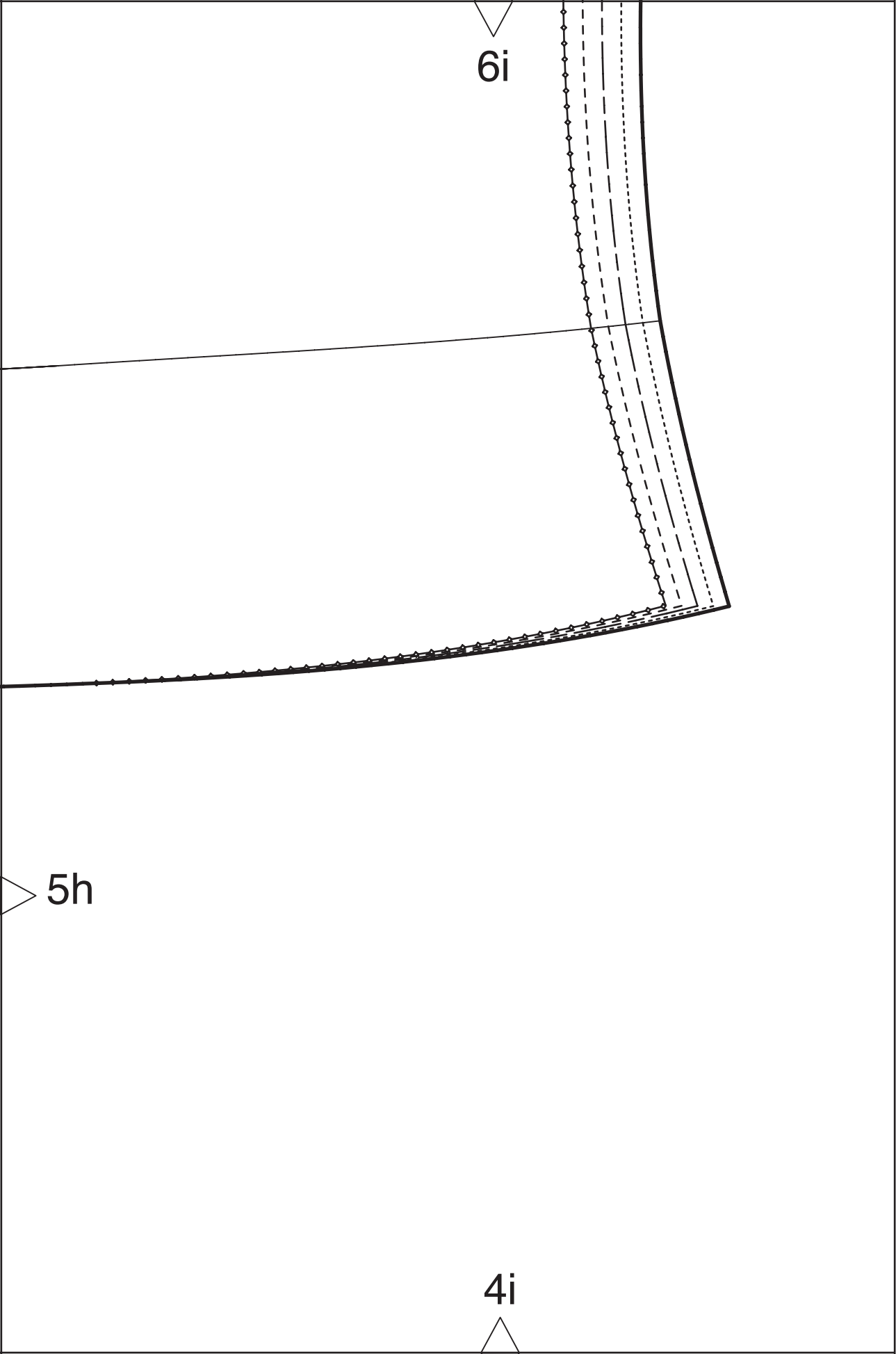


5f

5g

4g







8a

7a 

6a 



8b

7a

7b

6b

A square diagram with labels at its corners. The top corner is labeled '8c' with a downward-pointing triangle. The bottom corner is labeled '6c' with an upward-pointing triangle. The left corner is labeled '7b' with a rightward-pointing triangle. The right corner is labeled '7c' with a leftward-pointing triangle.

8c

6c

7b

7c

8d

7d

7c

6d



8e

7d

7e

Falje
pleat
СКЛАДКА

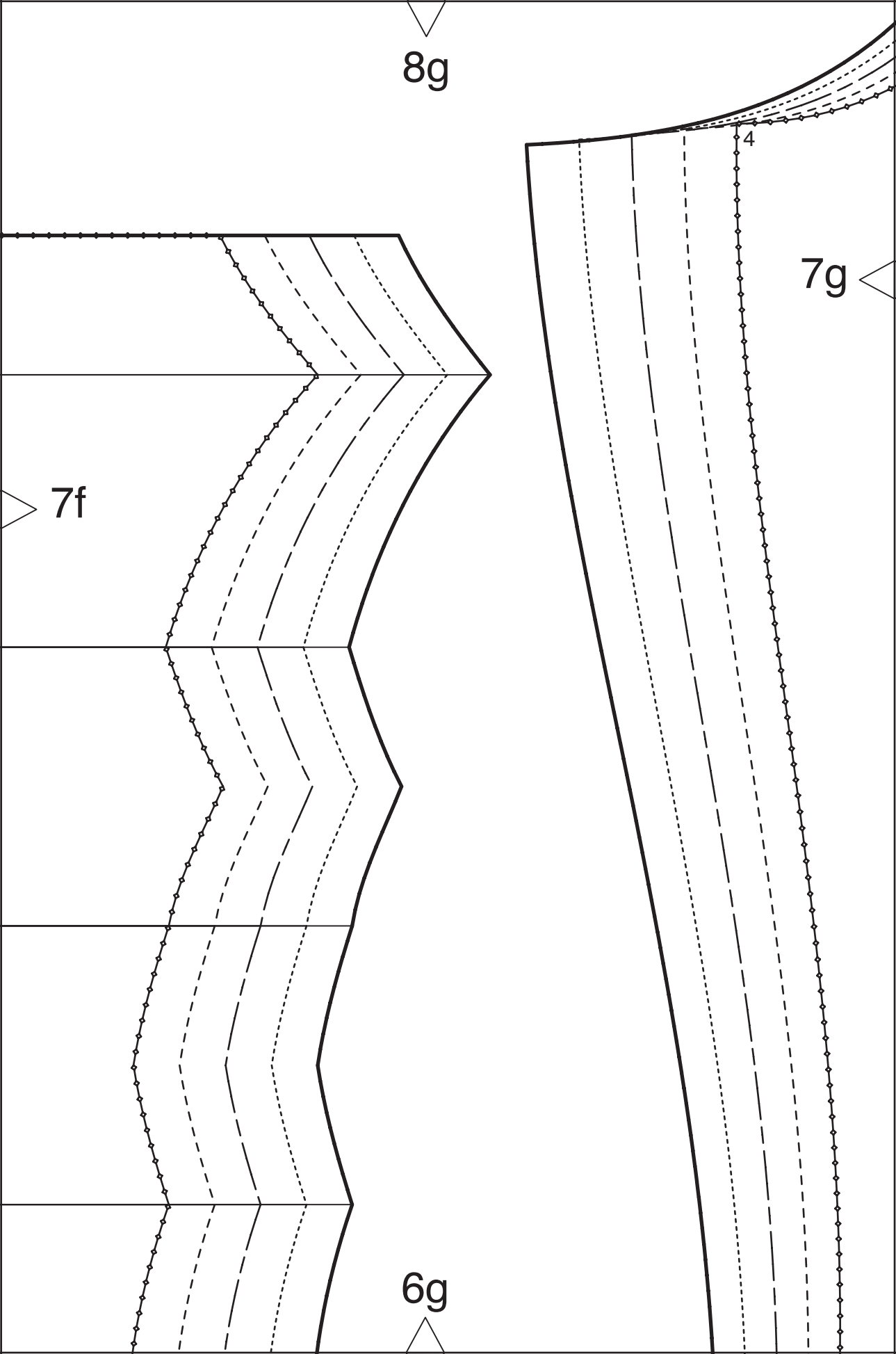
6e

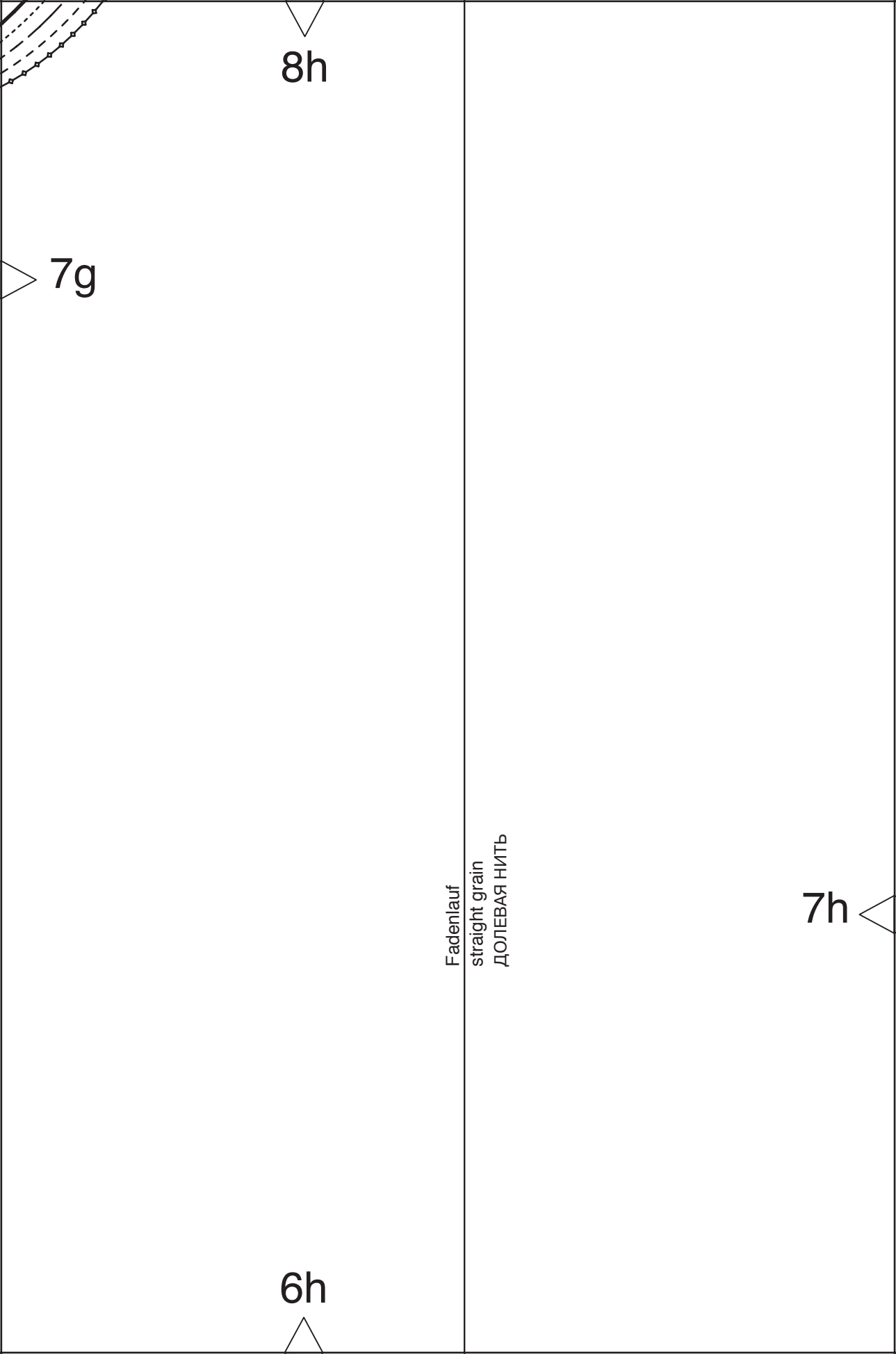
8f

7f

7e

6f





8h

7g

7h

6h

Fadenlauf
straight grain
ДОЛЕВАЯ НИТЬ

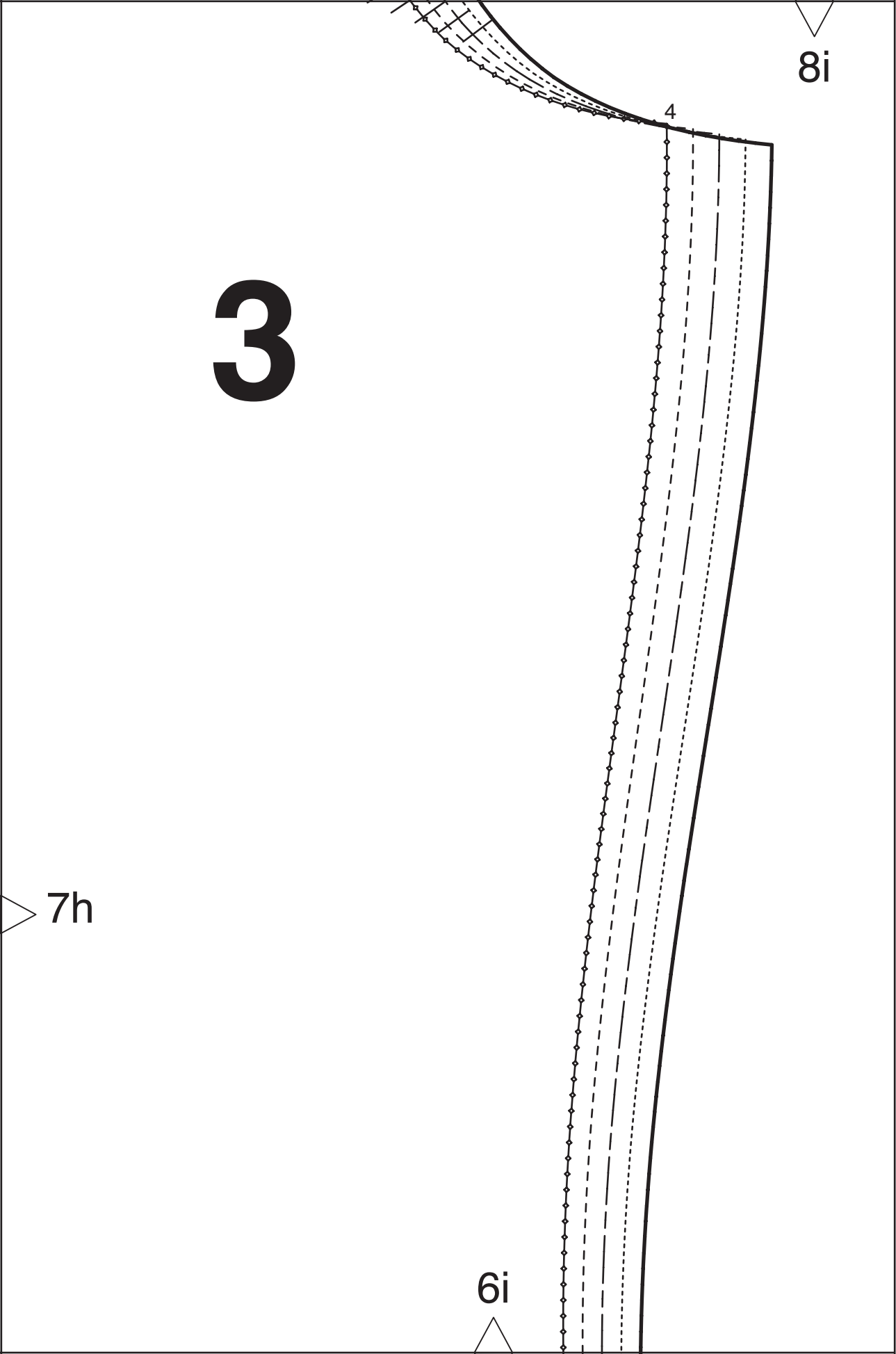
3

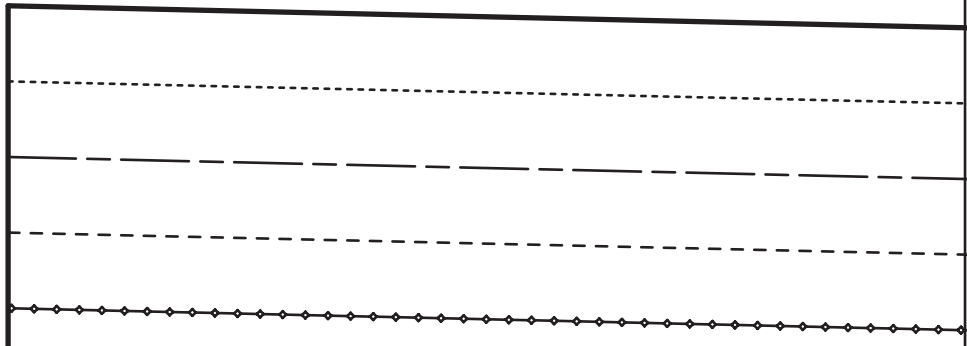
8i

4

7h

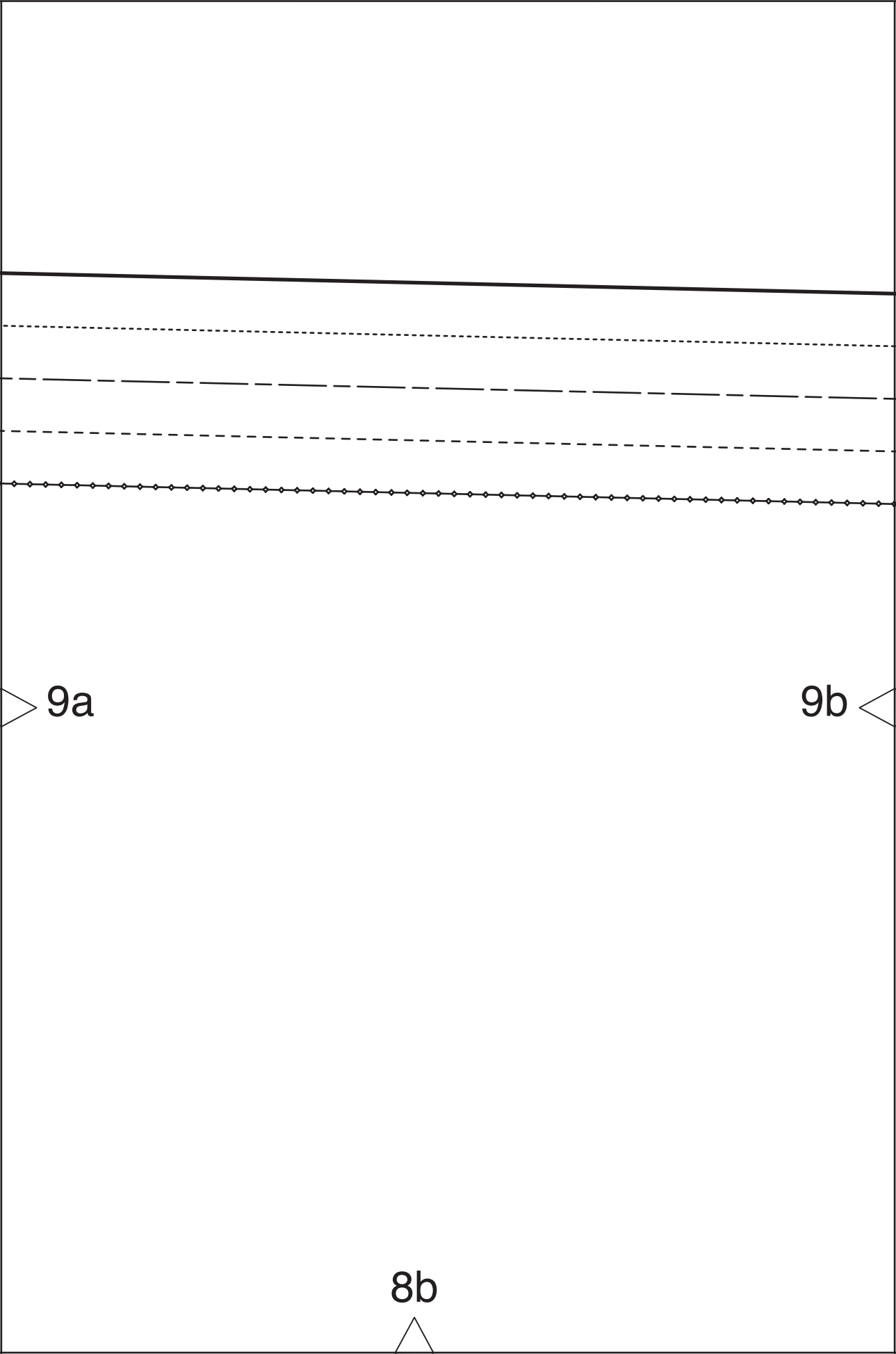
6i





9a

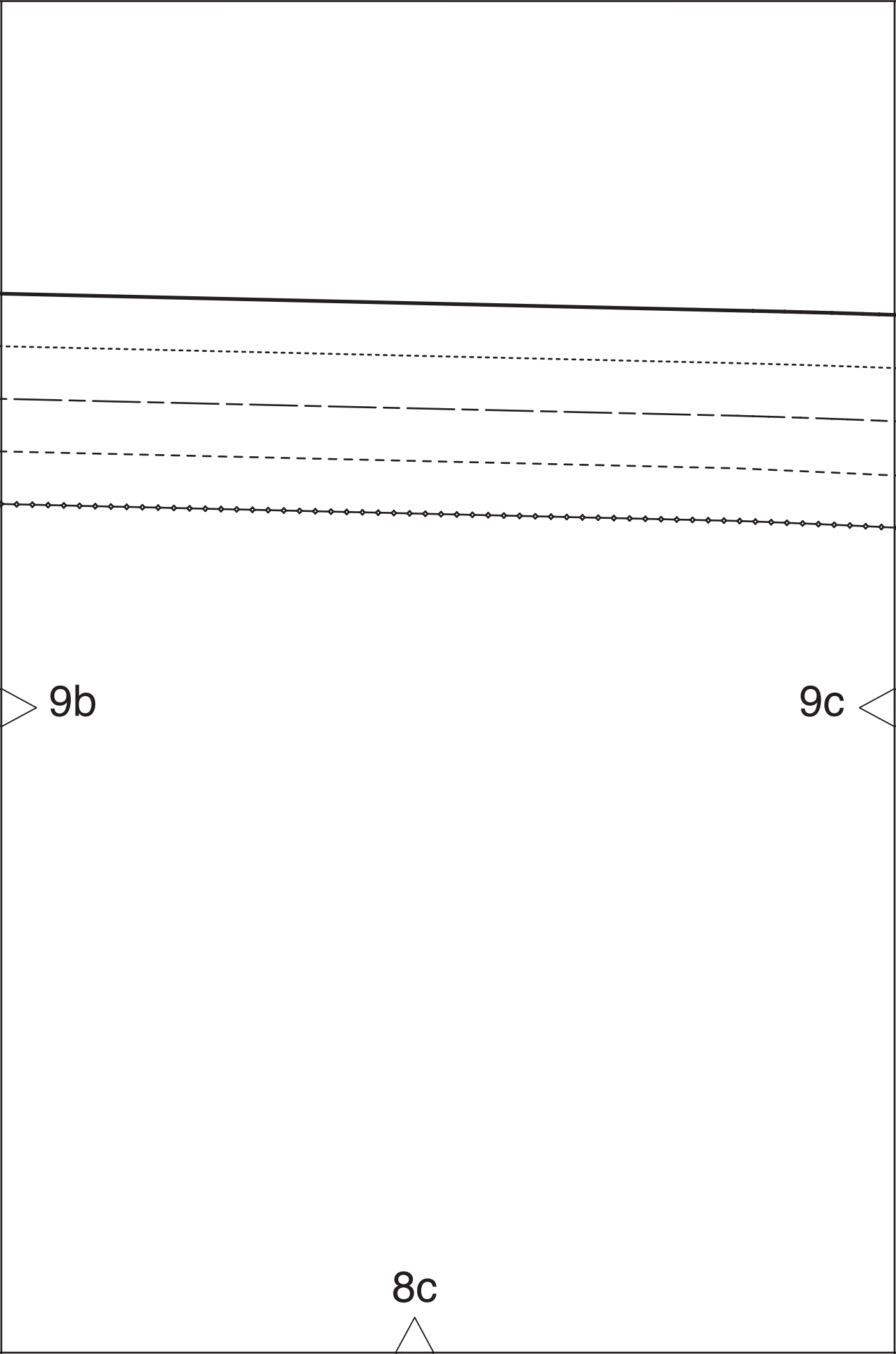
8a



9a

9b

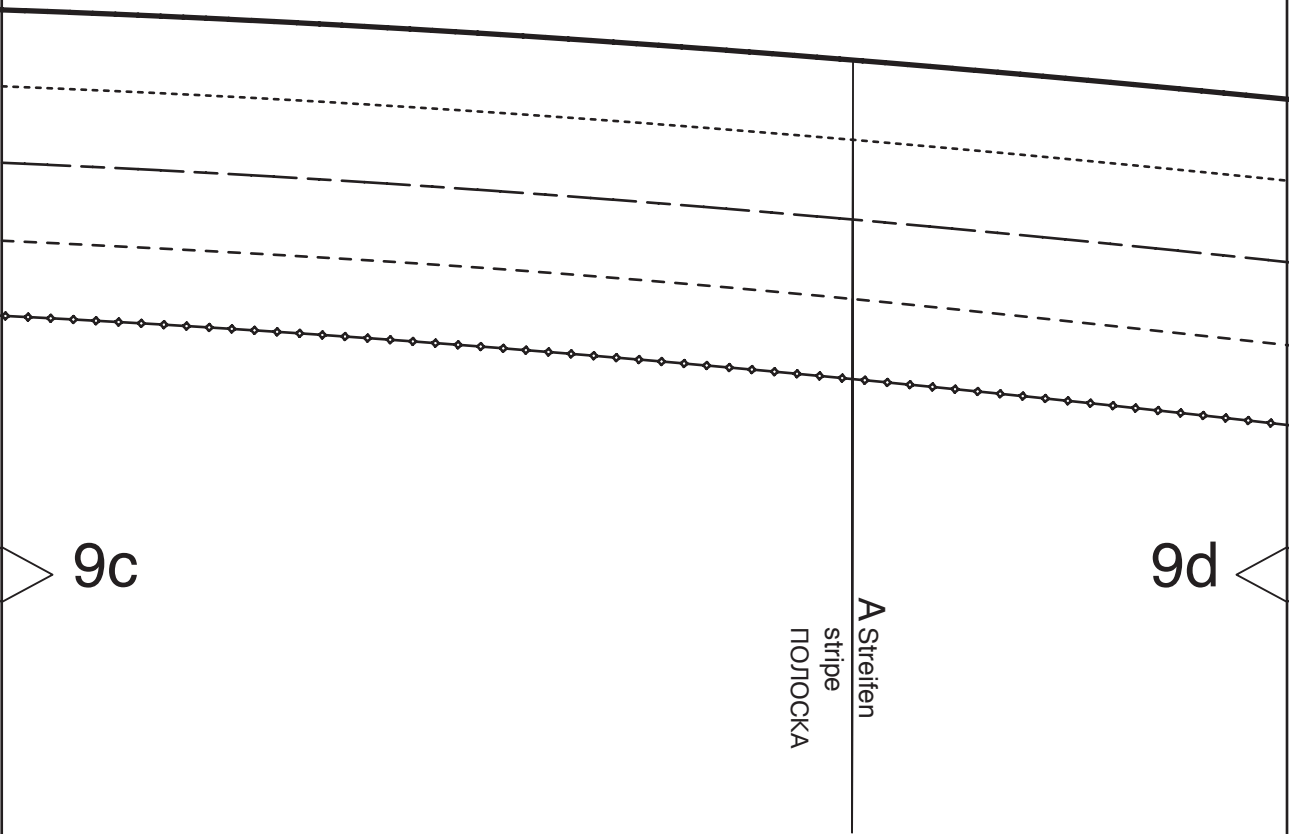
8b



9b

9c

8c

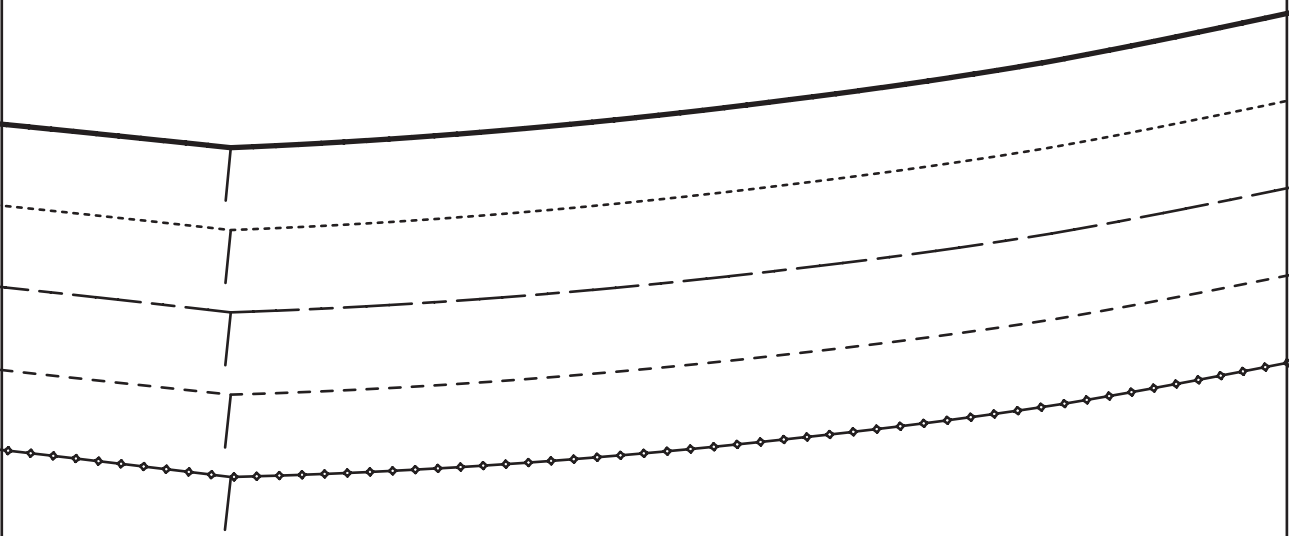


9c

9d

A Streifen
stripe
ПОЛЛОЦКА

8d

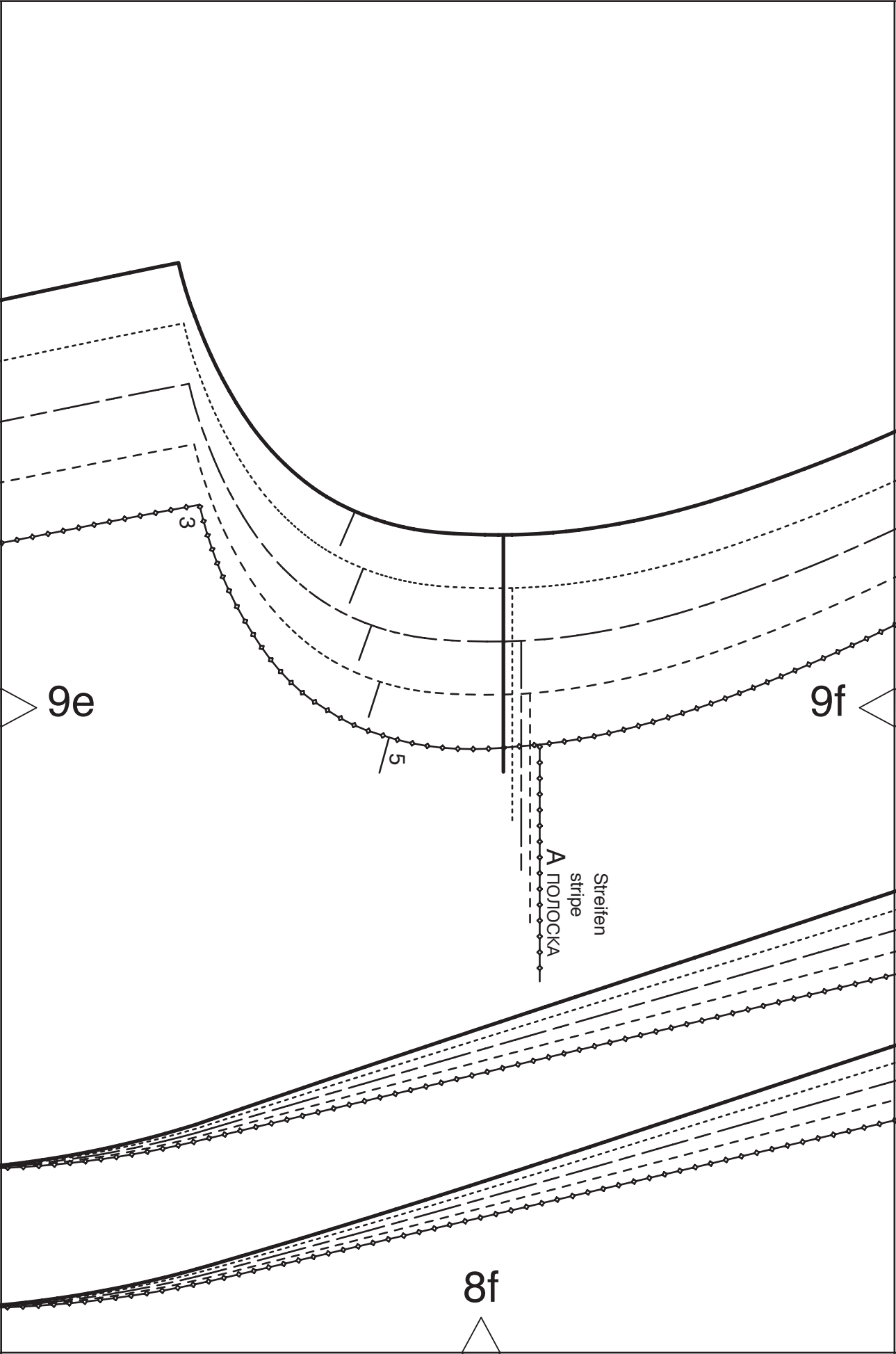


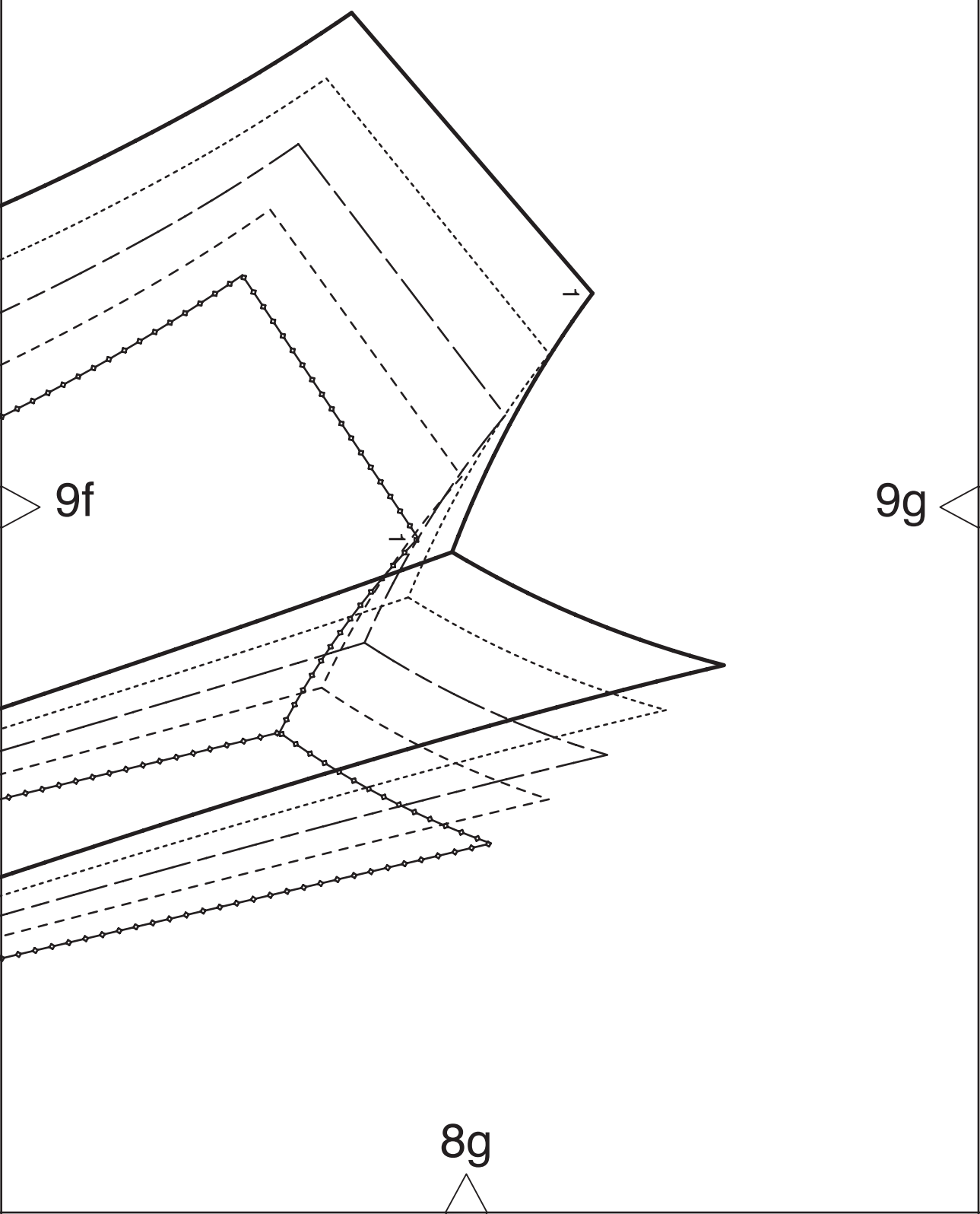
9d

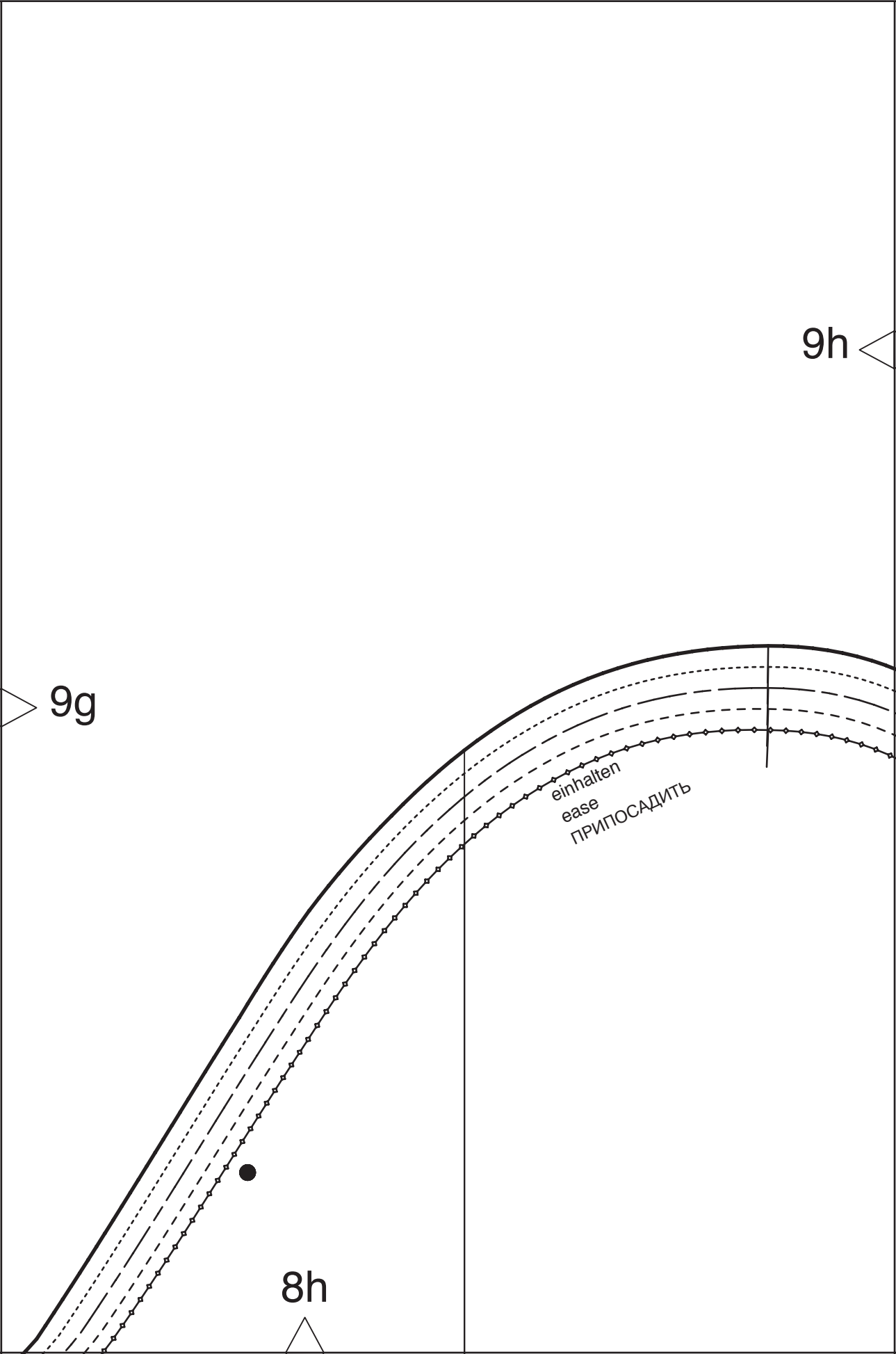
9e

Falte
pleat
СКЛАДКА

8e







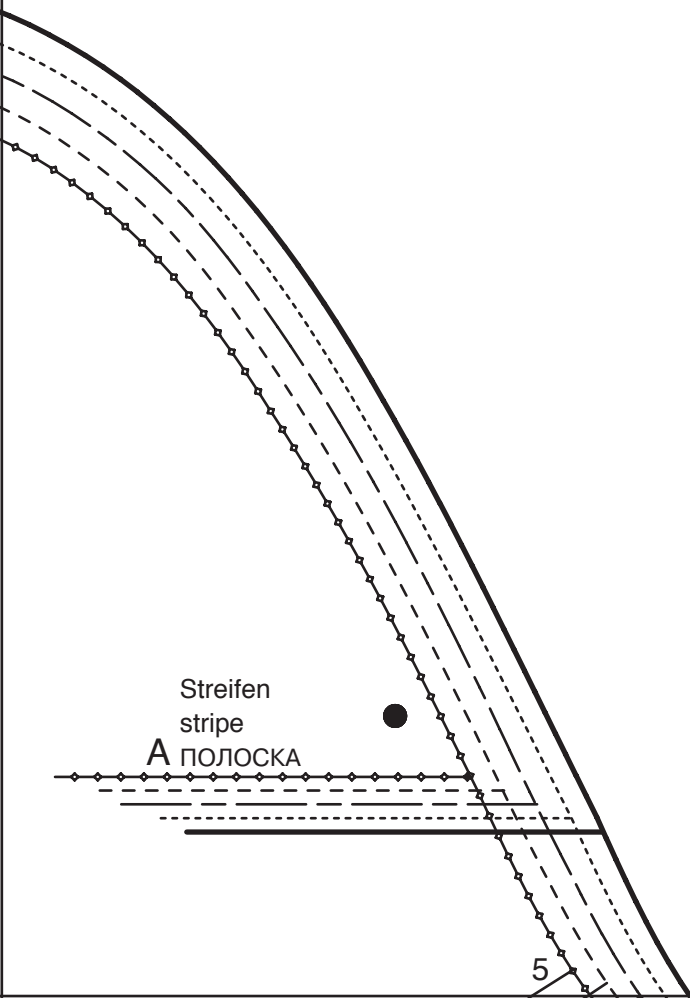
9h

9g

einhalten
ease
ПРИПОСАДИТЬ

8h

9h



Streifen
stripe

A ПОЛОСКА

5

8i