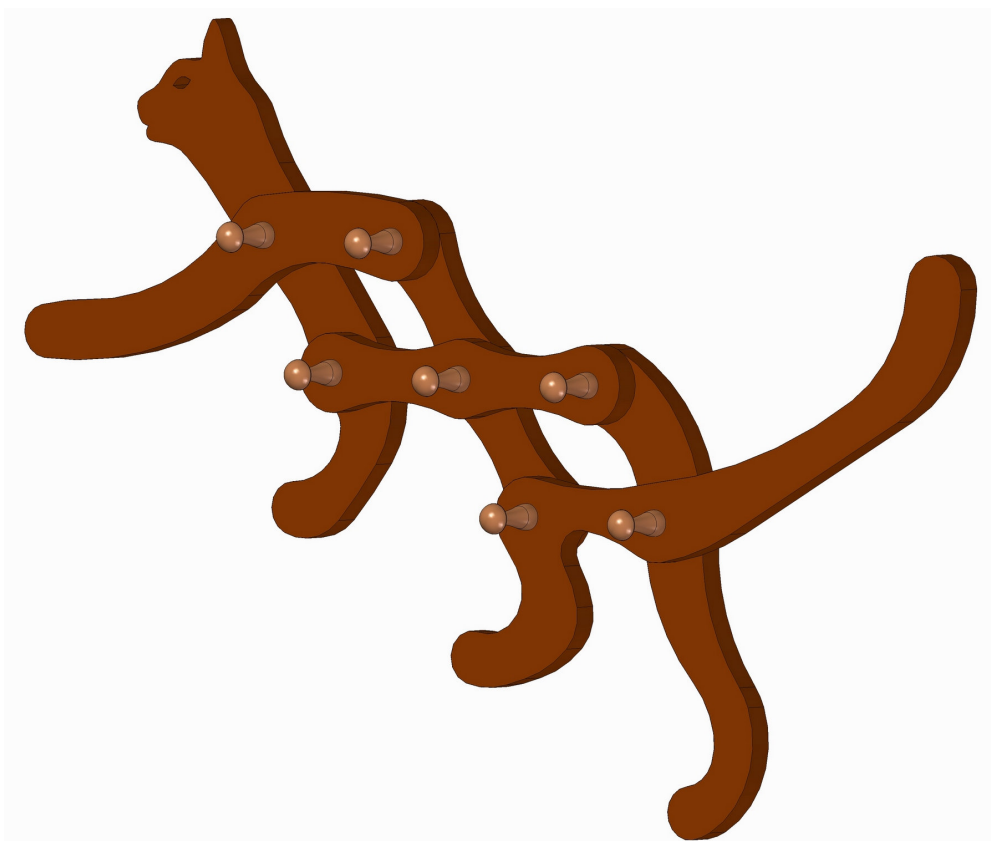
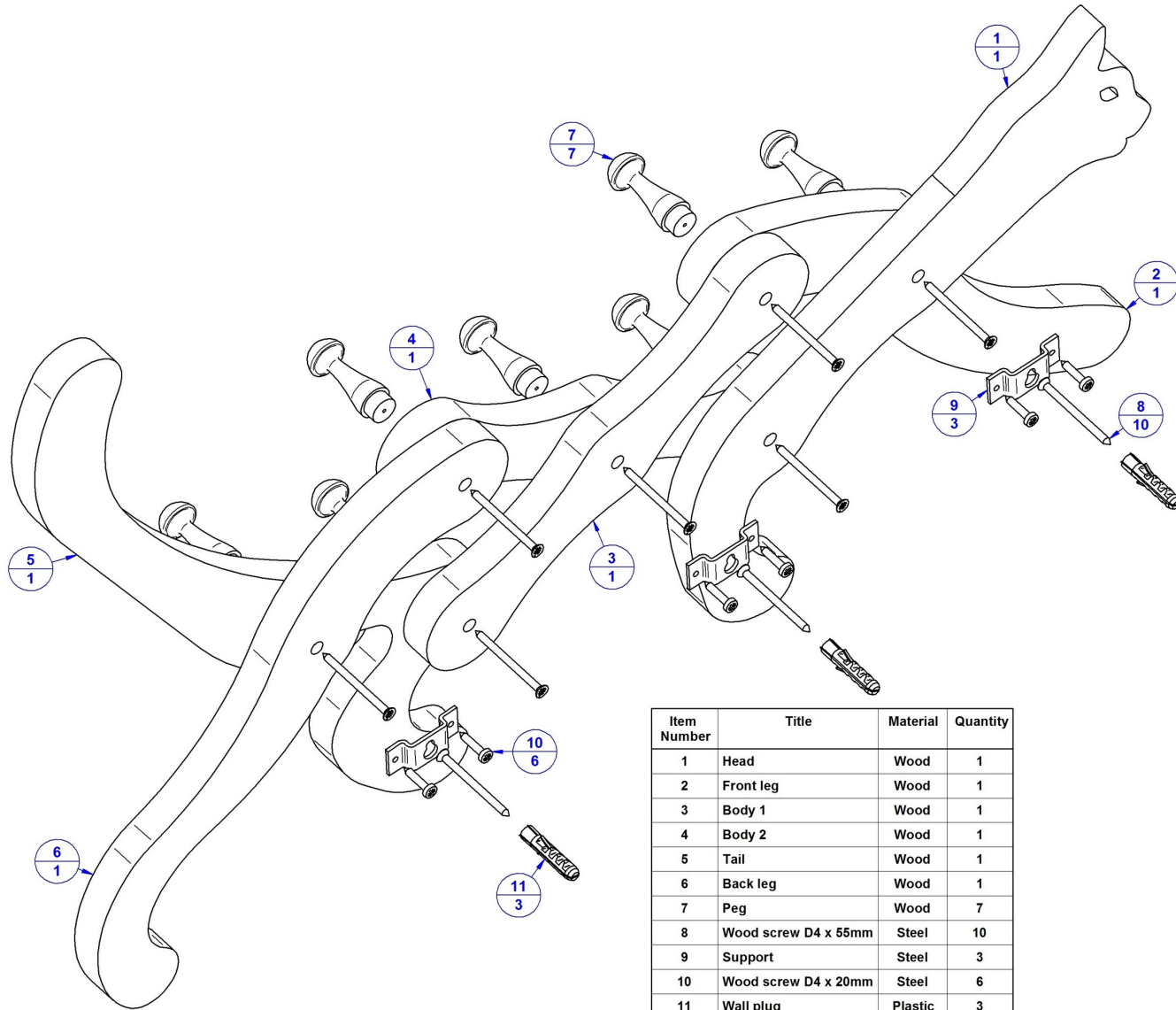


Cat shaped - Wall Coat Rack

This beautiful cat shaped coat rack is just ideal child's furniture that will help you to keep a kid's room tidy and it appeals to boys and to girls. They will love to hang their coats and school bags on it. Just be careful to mount it above the eye-level but within arms reach of the children. Also, if you have a small entryway this wall mounted coat rack will be a great choice for you, it will save space in front of the entry and keep that space neat, of course if you like cats.

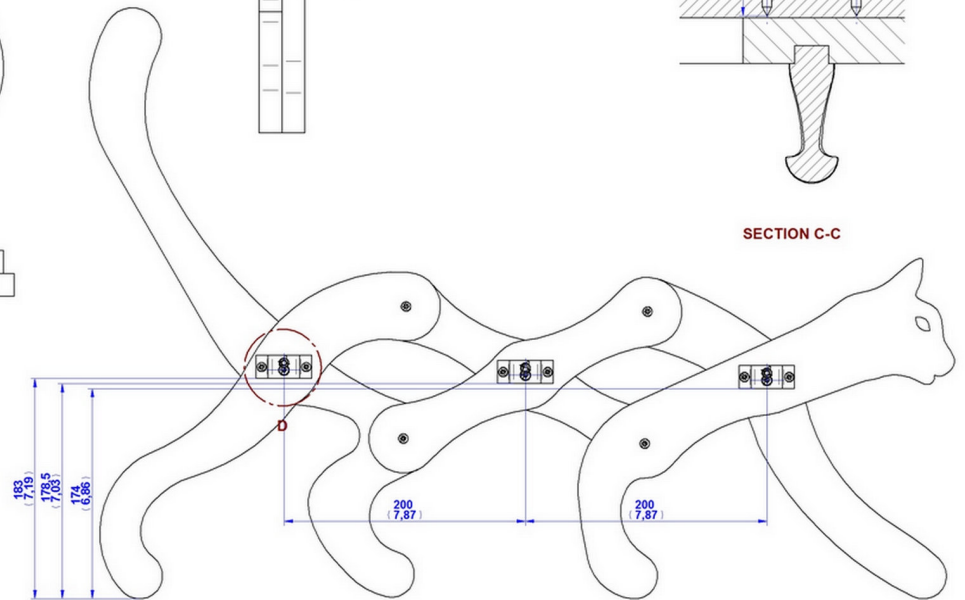
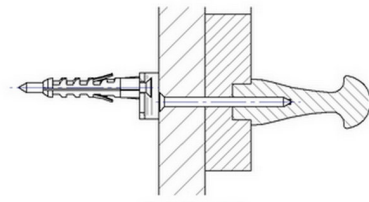
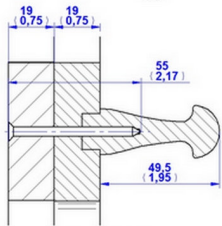
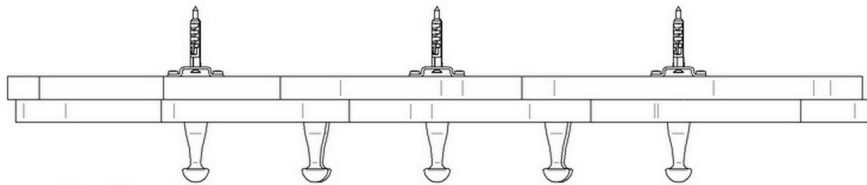
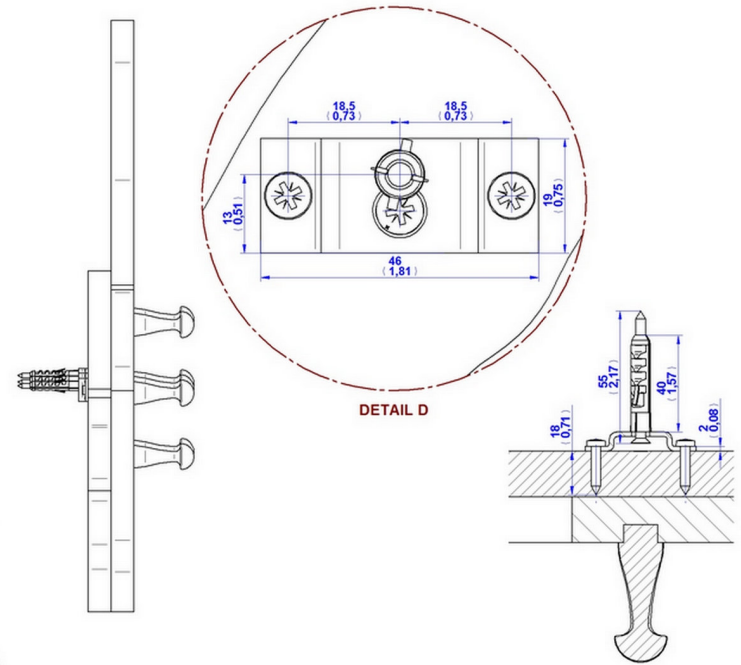
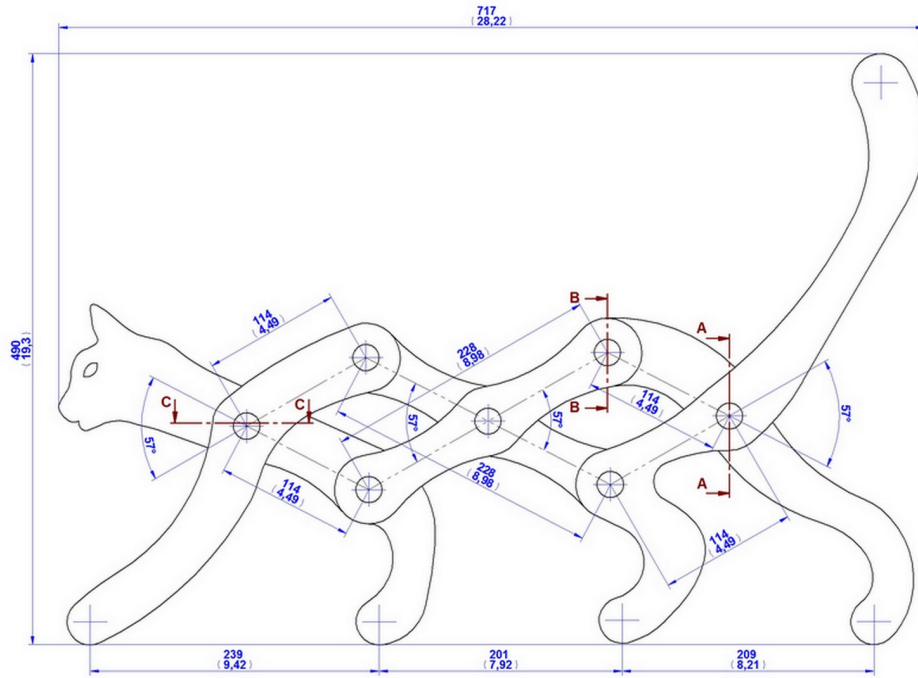


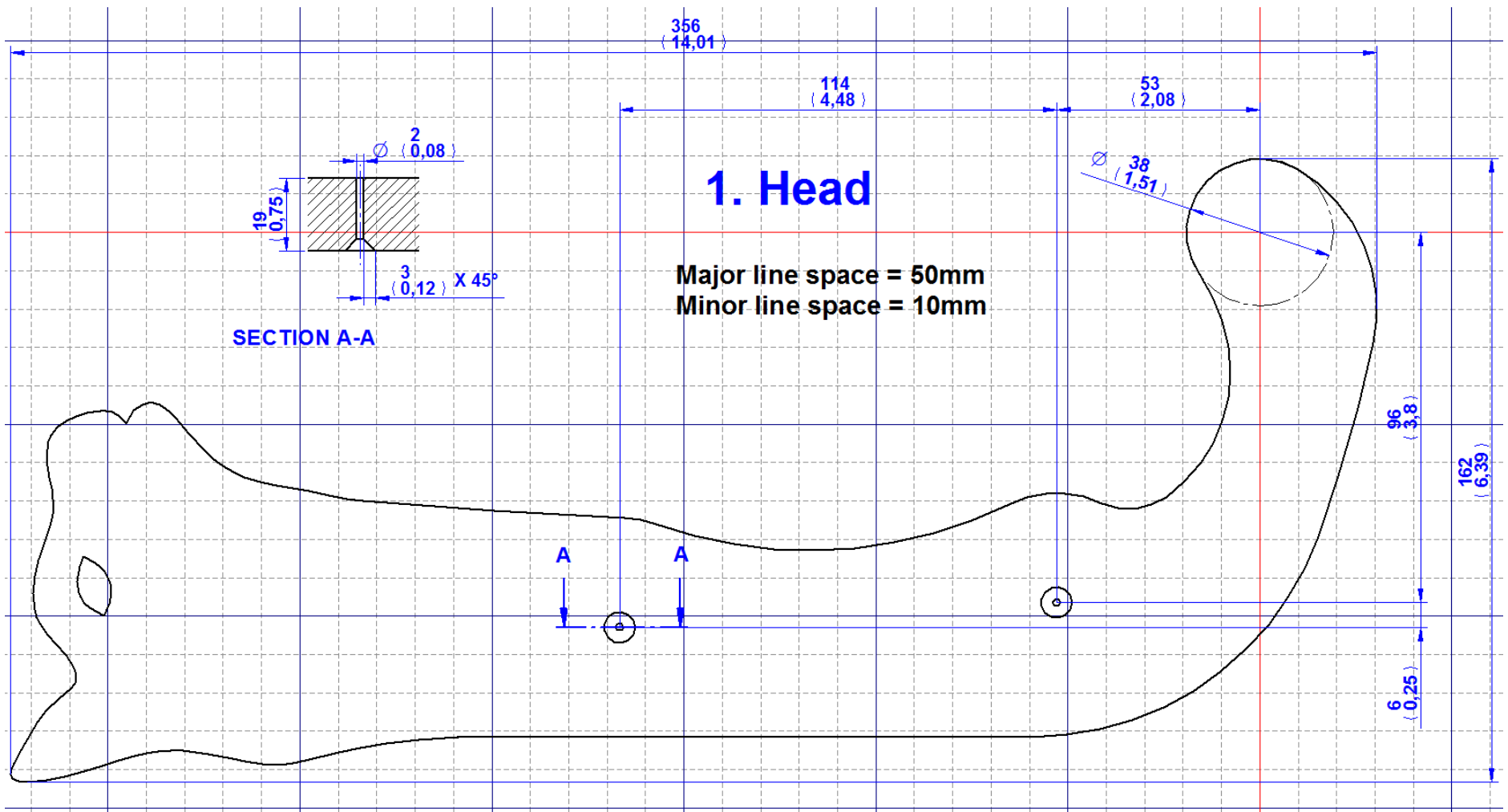
Coat rack parts list

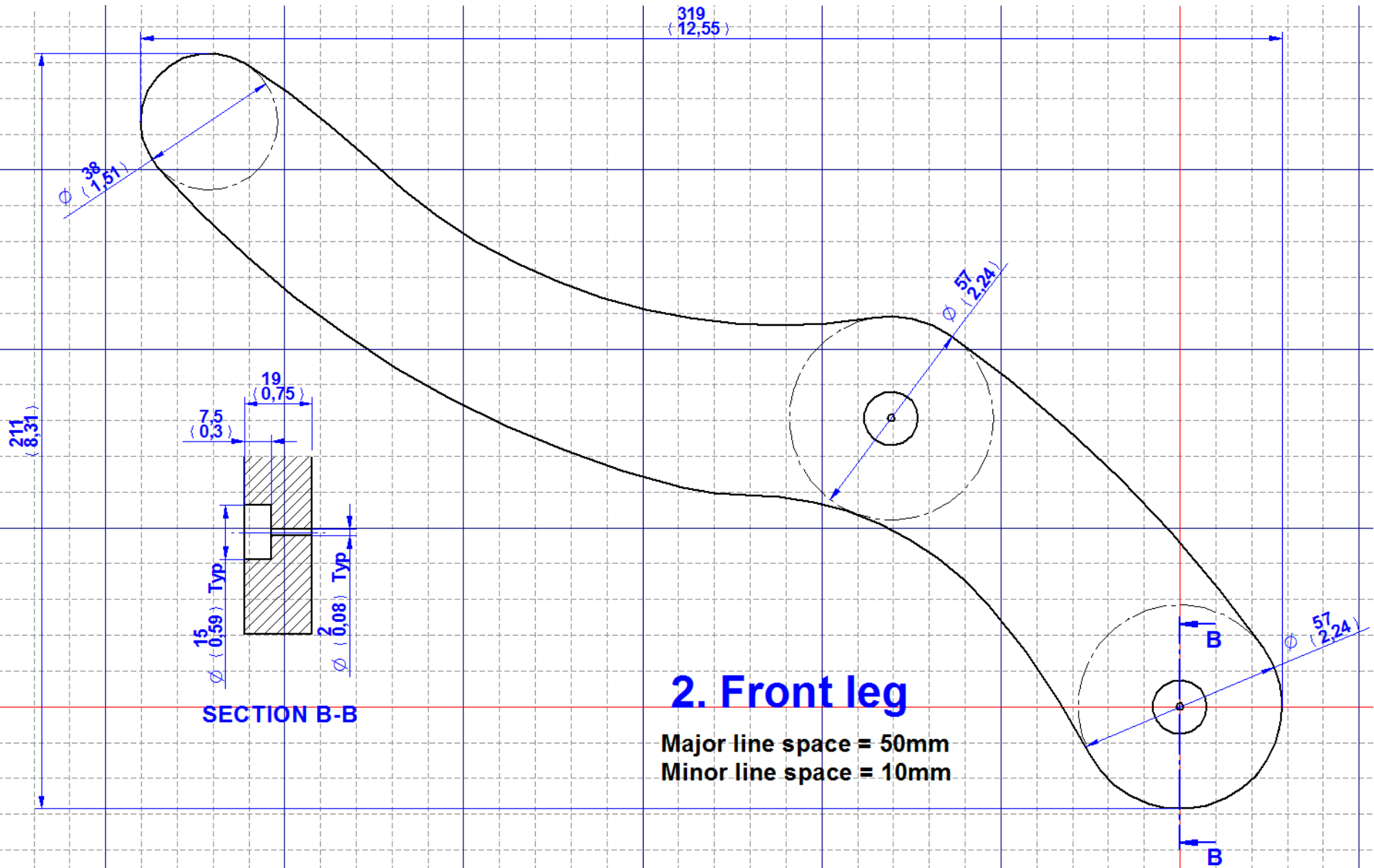


Item Number	Title	Material	Quantity
1	Head	Wood	1
2	Front leg	Wood	1
3	Body 1	Wood	1
4	Body 2	Wood	1
5	Tail	Wood	1
6	Back leg	Wood	1
7	Peg	Wood	7
8	Wood screw D4 x 55mm	Steel	10
9	Support	Steel	3
10	Wood screw D4 x 20mm	Steel	6
11	Wall plug	Plastic	3

Coat rack assembly 2D drawing

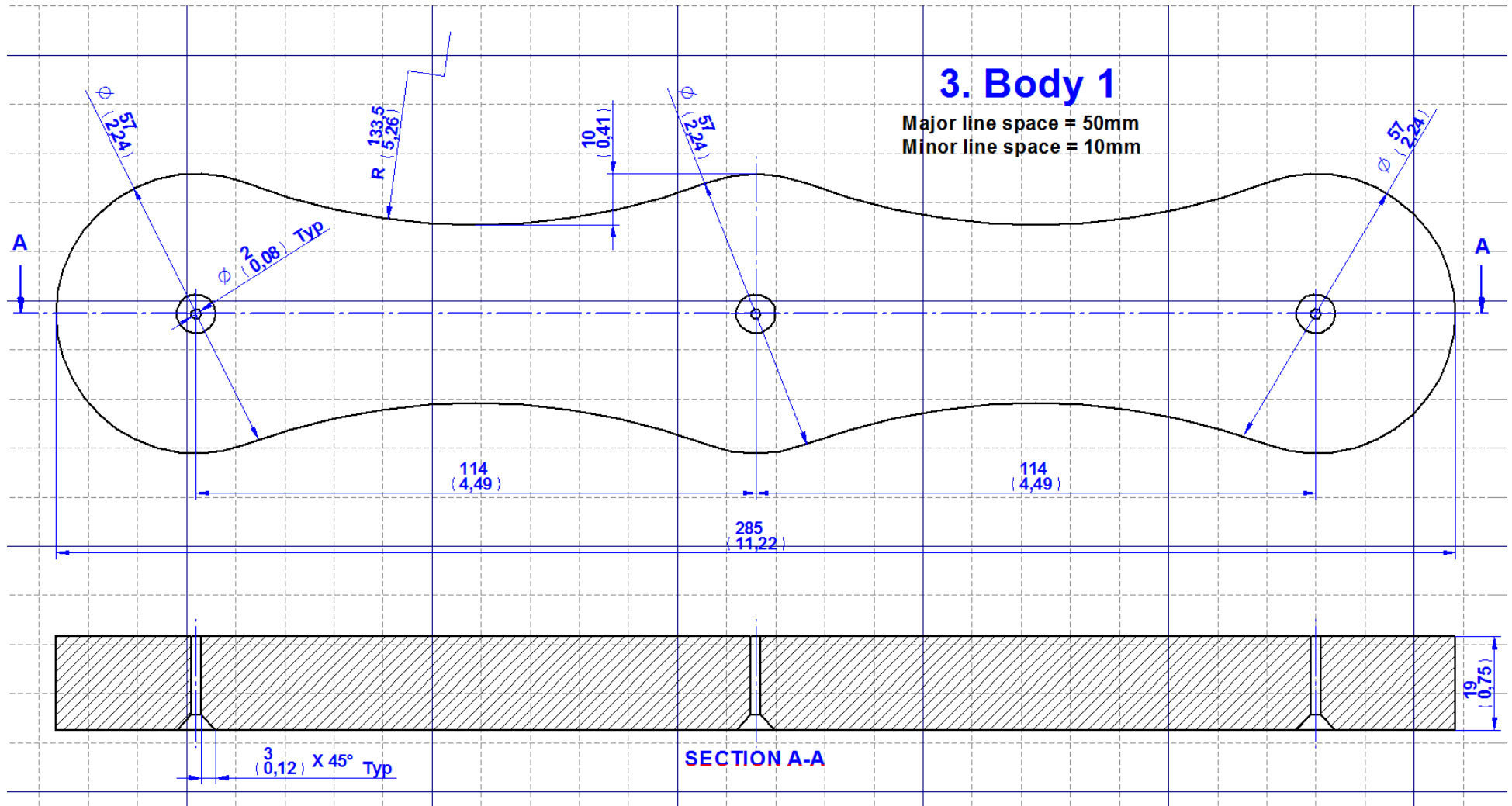






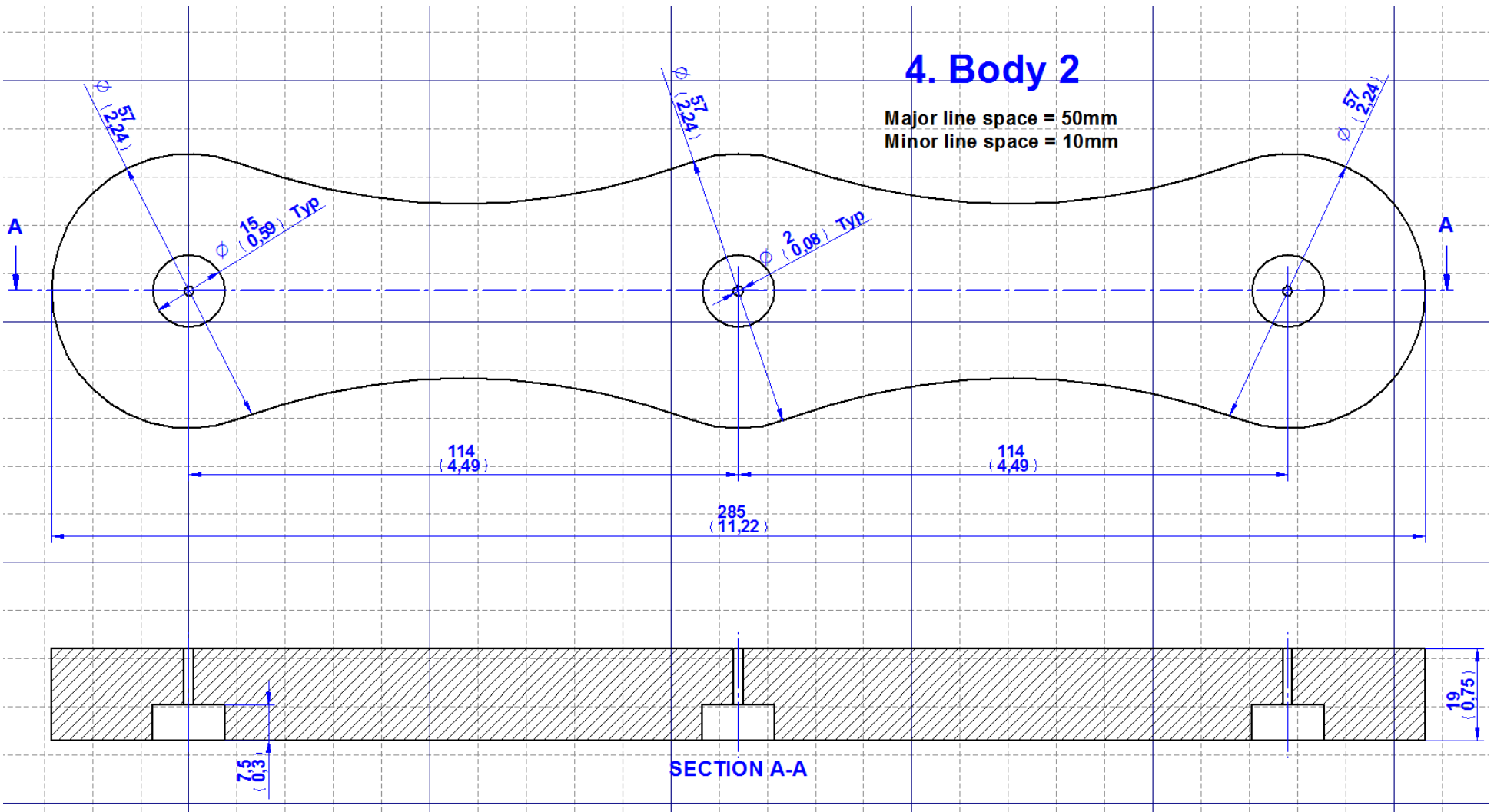
2. Front leg

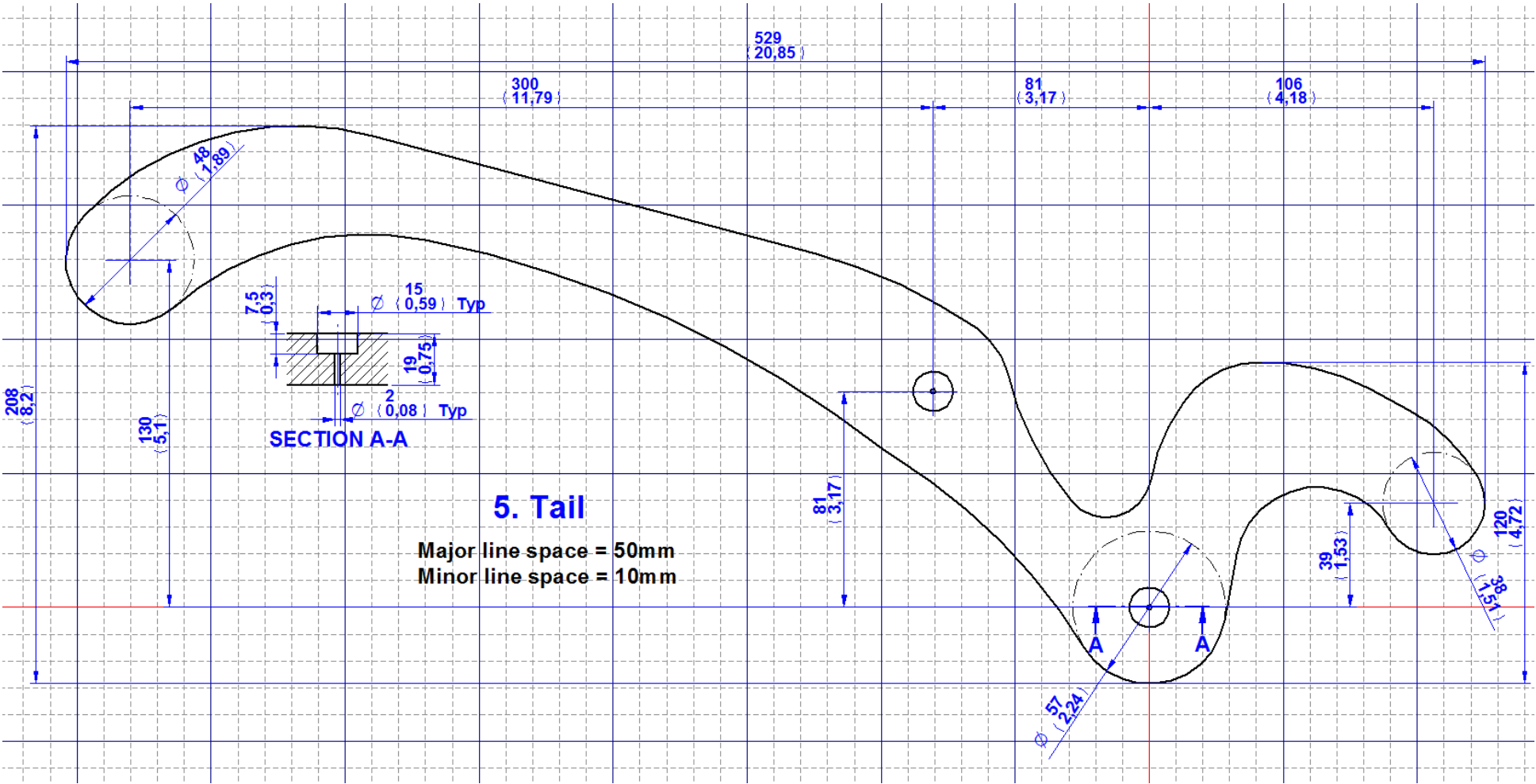
Major line space = 50mm
Minor line space = 10mm

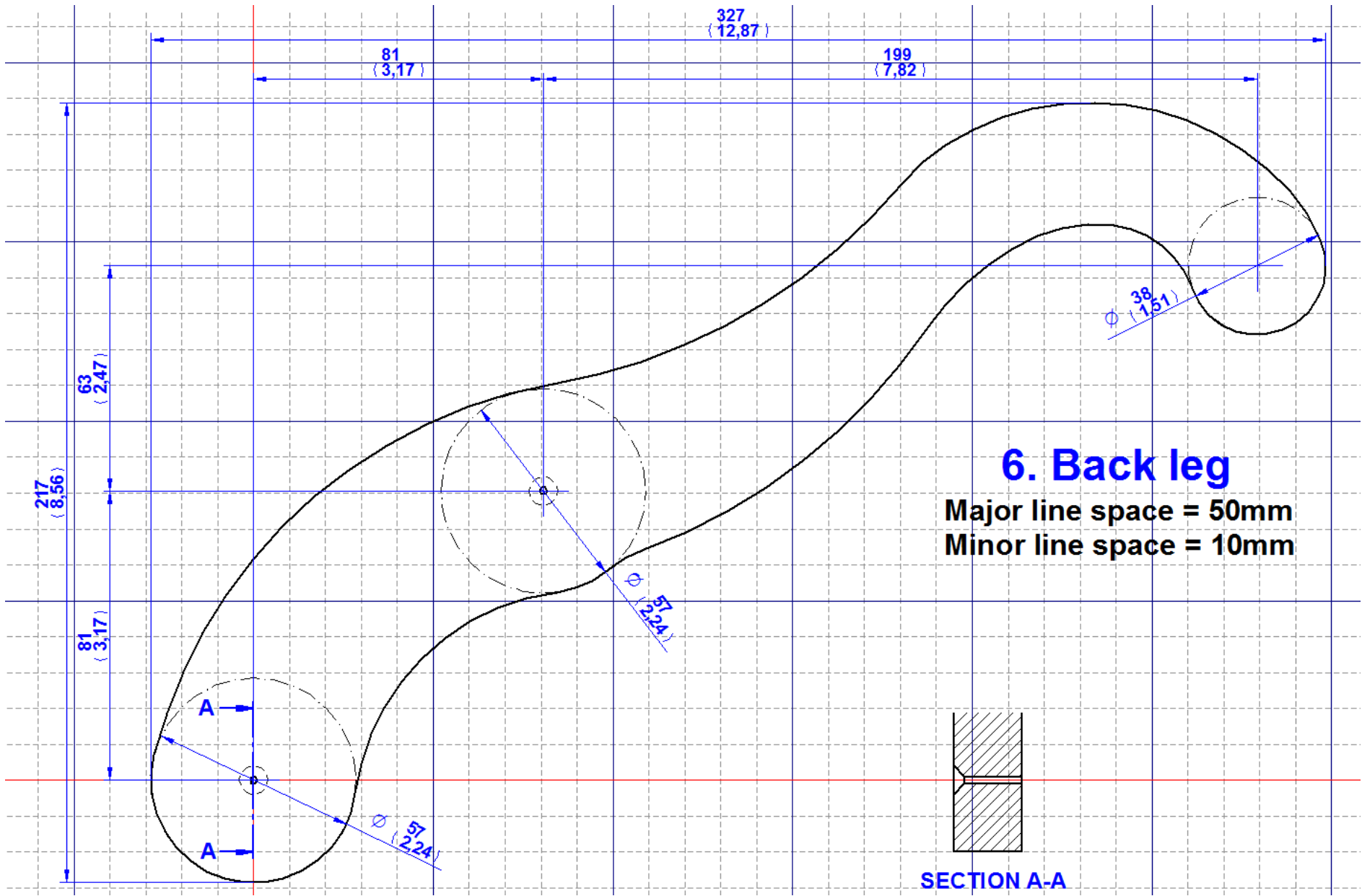


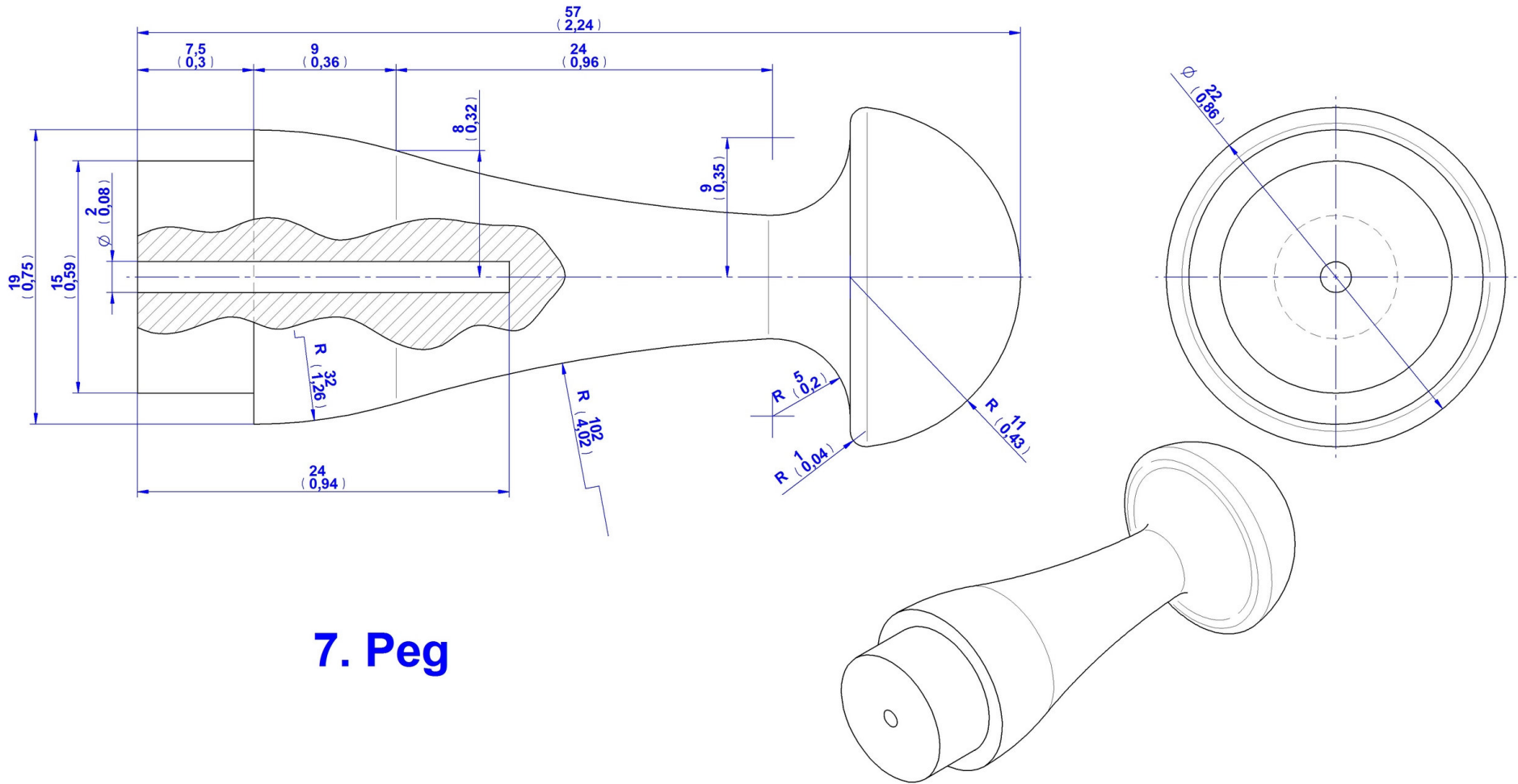
4. Body 2

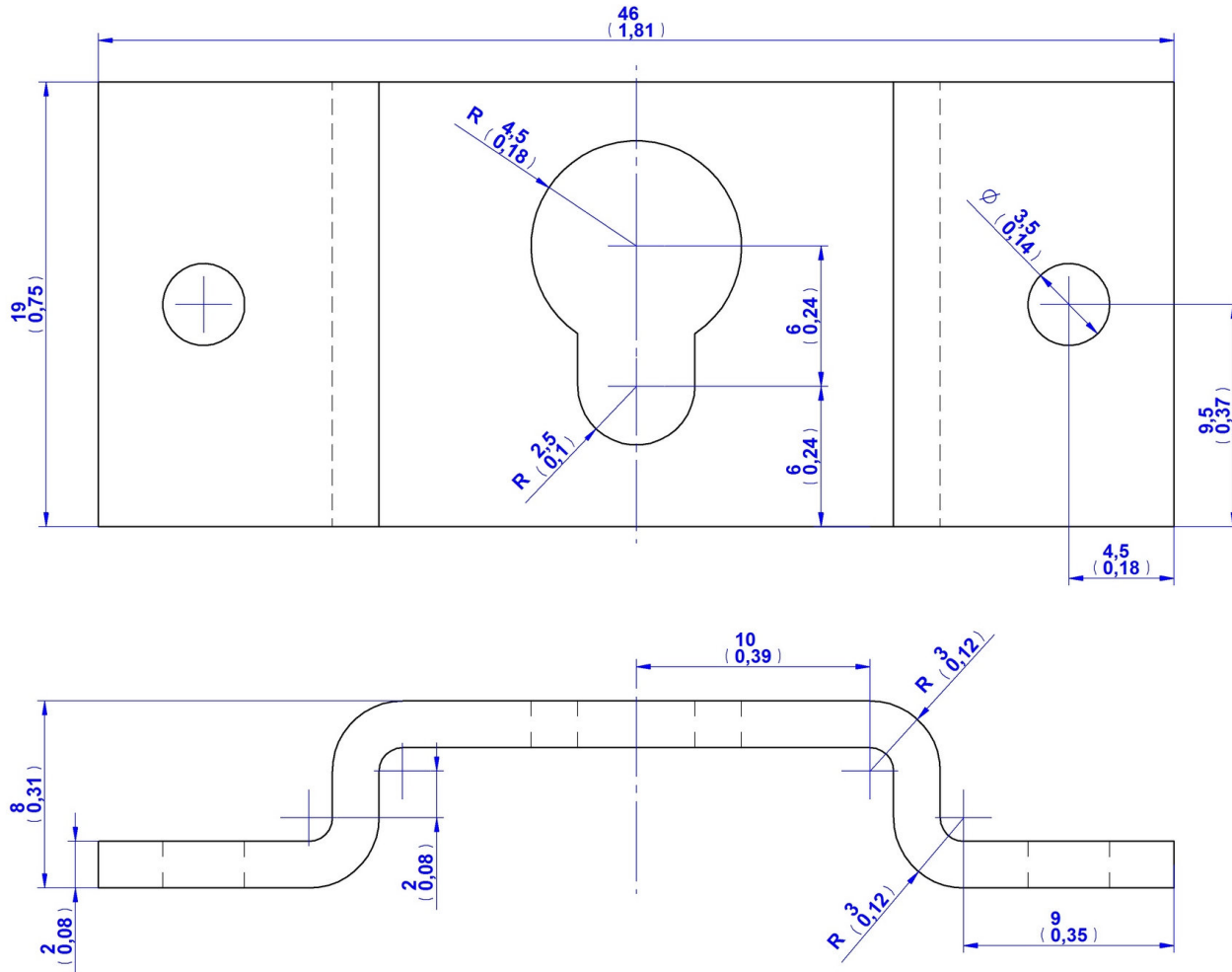
Major line space = 50mm
Minor line space = 10mm



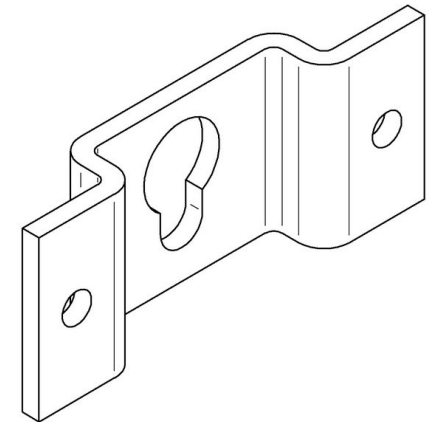


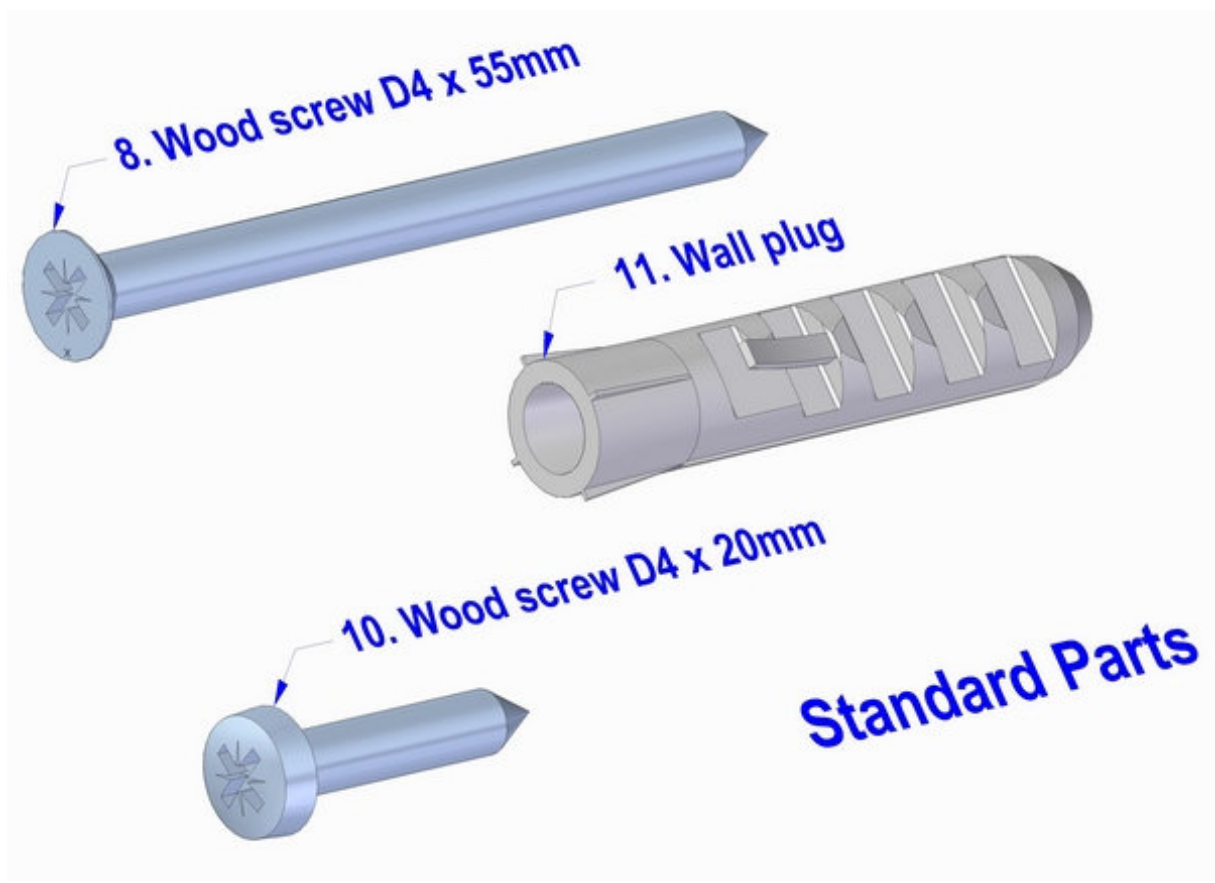






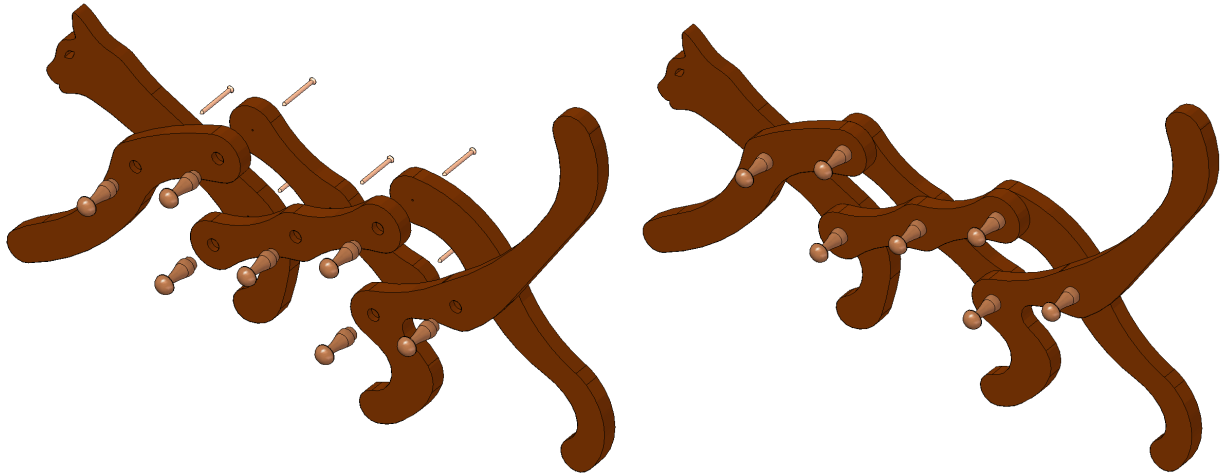
9. Support



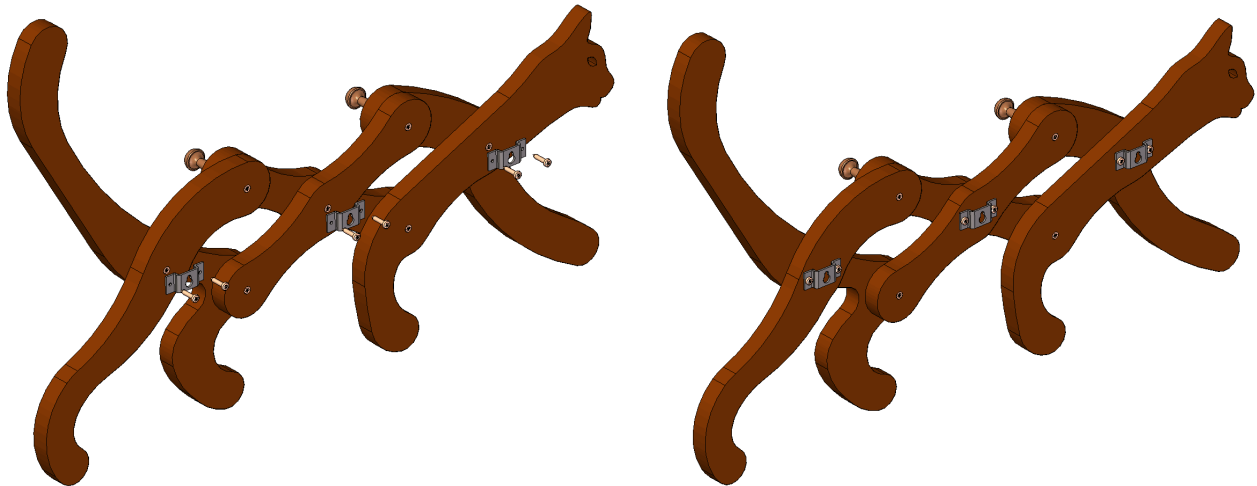


Assemblage instructions

1. Put some glue on the Pegs (part 7) and then push them into holes made on the Front leg (part 2), Body 2 (part 4) and the Tail (part 5). Line the parts following 2D documentation, drill pilot holes in it and then join all parts with Woodscrews D4 x 55mm (part 8).



2. Fasten the Supports (part 9) onto the backs subassembly from the previous step with Woodscrews D4 x 20mm (part 10).



3. Drill holes in the wall following 2D documentantion, put the Wall plugs (part 11) into the holes and screw the Woodscrews D4 x 55mm (part 8) in. The screws heads should stick out 4-5 mm from the wall. Hang the coat rack on these Woodscrew heads.

